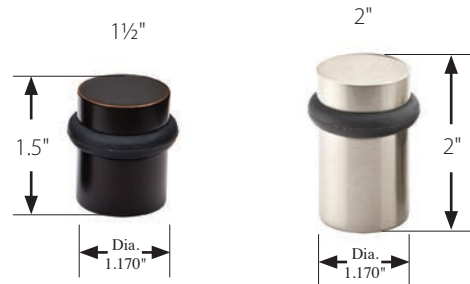


## Cylinder Floor Bumpers *with Screws*

Description	Product Code
1 ½" Cylinder Floor Bumper	2257
2" Cylinder Floor Bumper	2258



## Cylinder Floor Bumpers with Dome Cap *with Screws*

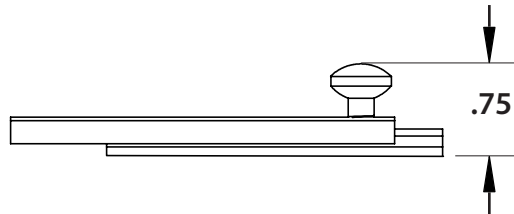
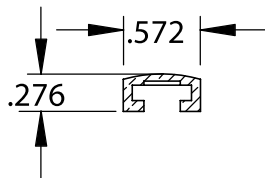
Description	Product Code
1 ½" Cylinder Floor Bumper with Dome Cap	2259
2" Cylinder Floor Bumper with Dome Cap	2260



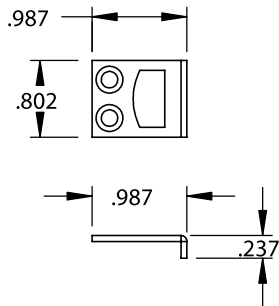
DIMENSIONS ARE IN INCHES

**Concealed Screw Surface Bolts**

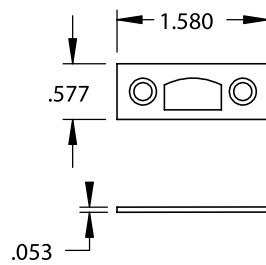
Description	Product Code
4" Concealed Screw Surface Bolt	8527
6" Concealed Screw Surface Bolt	8528
8" Concealed Screw Surface Bolt	8529
12" Concealed Screw Surface Bolt	8530



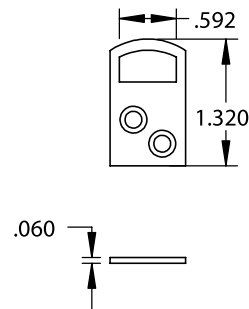
Mortise Strike



Lip Strike



Angle Strike



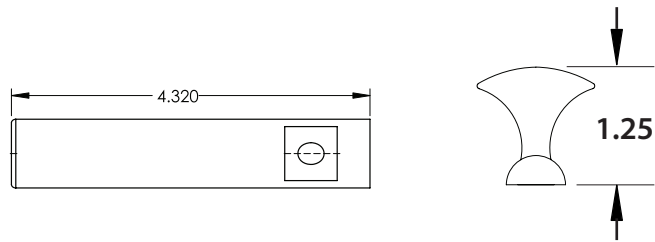
>> Supplied with 3 Types of Strike Plates and Screws. Strikes & Screws are **NOT** sold separately.

DIMENSIONS ARE IN INCHES



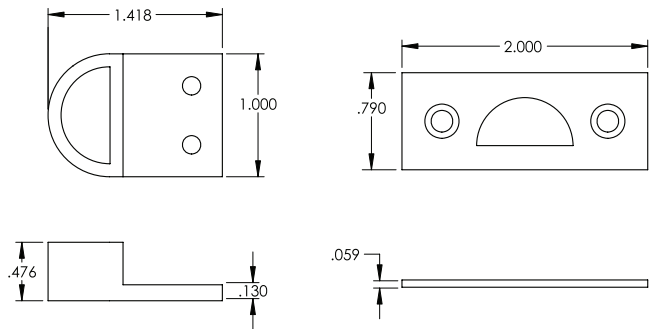
**4" Dutch Door Bolts**

Description	Product Code
4" Dutch Door Bolt	8516



Mortise Strike

Lip Strike

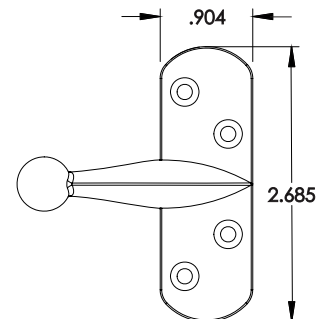
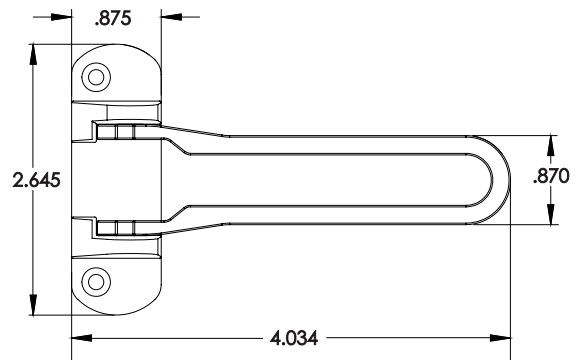


>> Supplied with 2 Types of Strike Plates and Screws. Strikes & Screws are NOT sold separately.

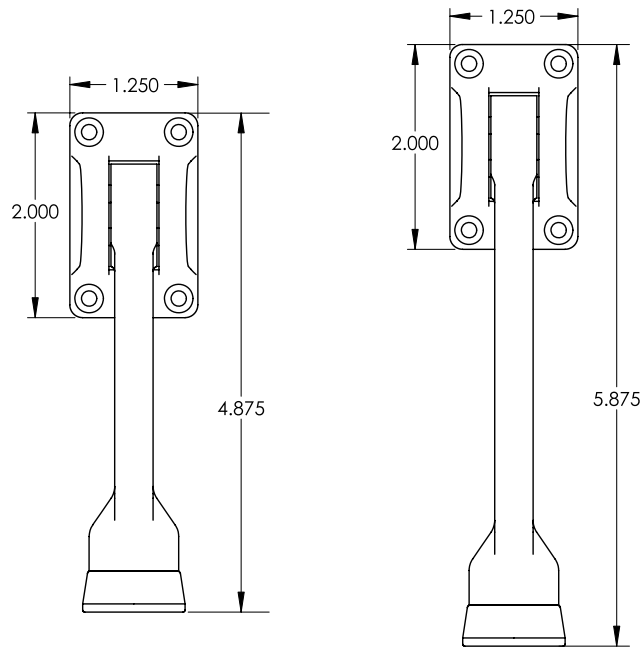


**Security Door Guards**

Description	Product Code
4" x 2½" Security Door Guard	2074
5" x 2½" Security Door Guard	2075



DIMENSIONS ARE IN INCHES



**Kickdown Door Holders** with Screws

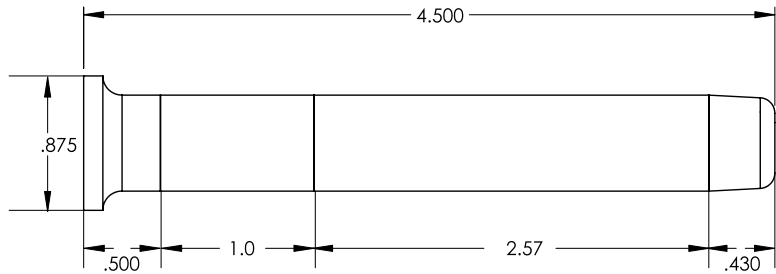
Description	Product Code
4" Kickdown Door Holder	2264
5" Kickdown Door Holder	2265



**Extendable Baseboard Door Bumper**

Product Code
2233

>> Includes 3", 1", and 1/2" base with 2" screw

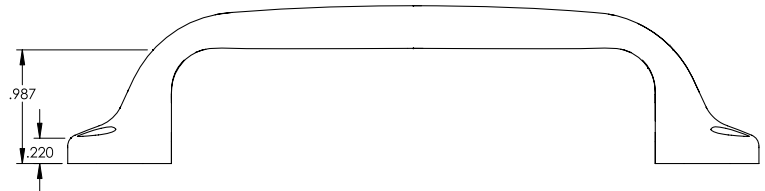
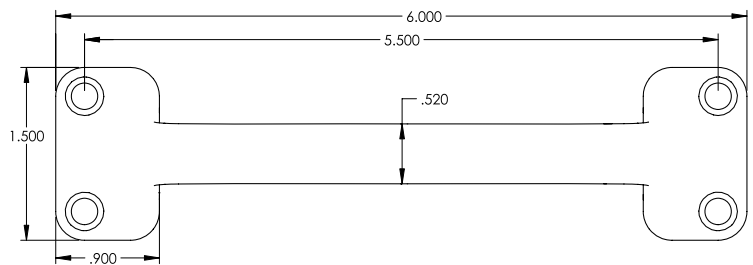
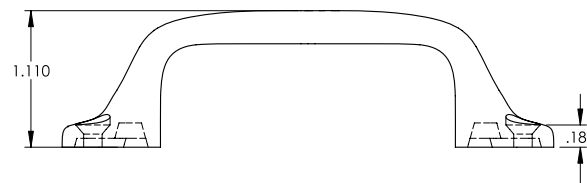
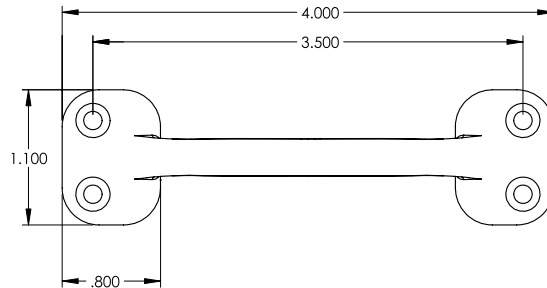


DIMENSIONS ARE IN INCHES



**Window, Utility Pulls**

Description	Product Code
4" Window, Utility Pulls	2244
6" Window, Utility Pulls	2246

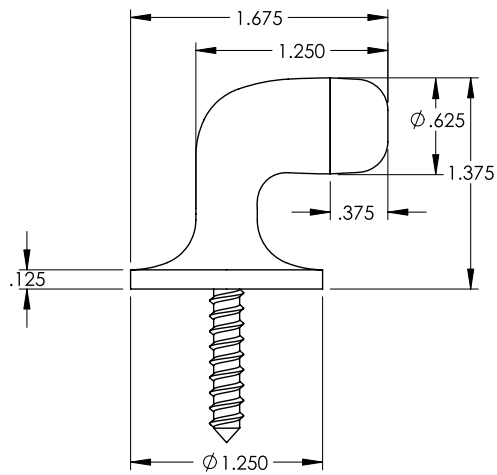


DIMENSIONS ARE IN INCHES



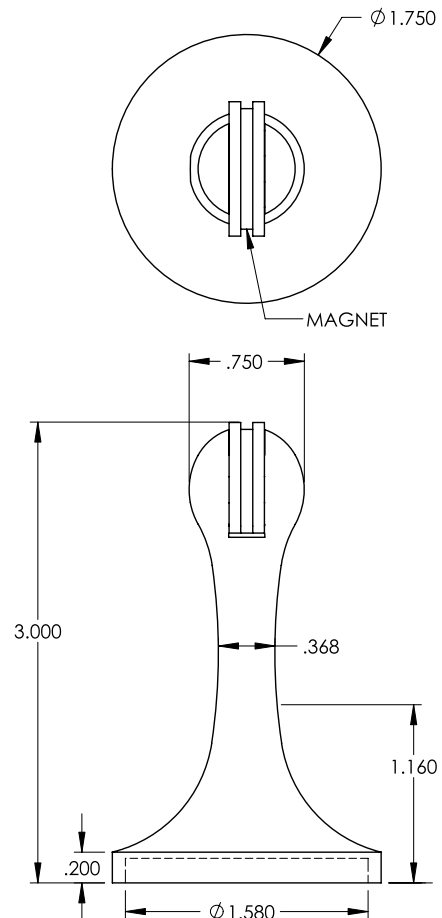
**Floor Door Bumper**

Product Code
2254

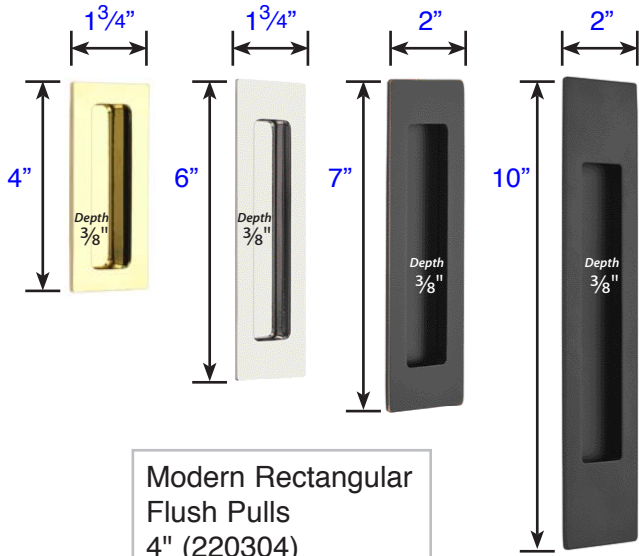


**3" Magnetic Door Stop & Holder**

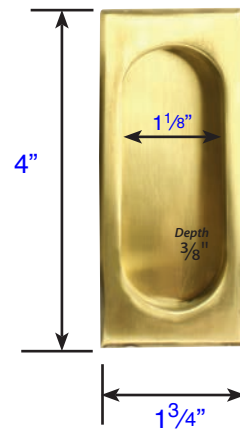
Product Code
2256



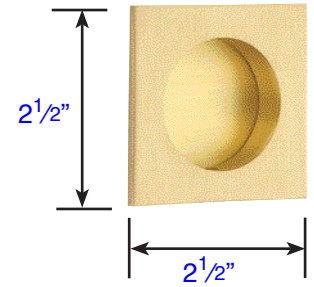
DIMENSIONS ARE IN INCHES



Modern Rectangular Flush Pulls  
4" (220304)  
6" (220306)  
7" (220307)  
10" (220310)



Rectangular Flush Pull (2201)



Square Flush Pull (2213)  
*Fits standard 2 1/8" door prep*  
(1/8" Plate Thickness)

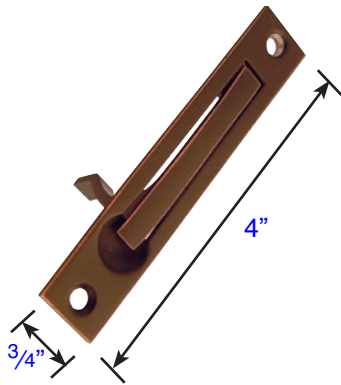


Door Stop  
3" (2232) & 4" (2231)  
Base = 1 1/4"

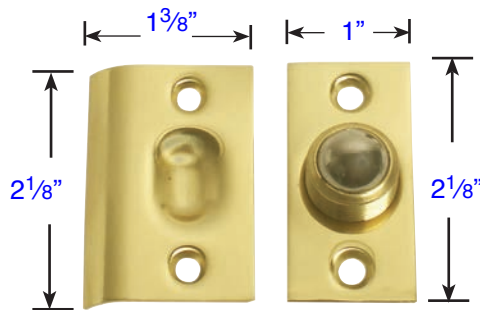


2 1/2" Dia.

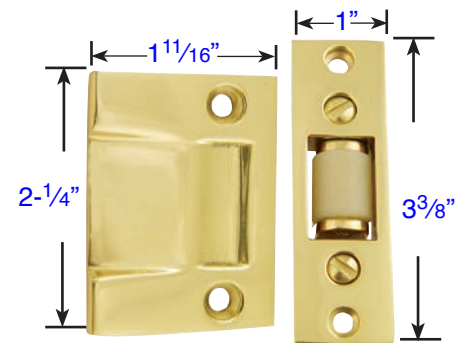
Round Flush Pull (2211)  
*Fits standard 2 1/8" door prep*  
(1/8" Plate Thickness)



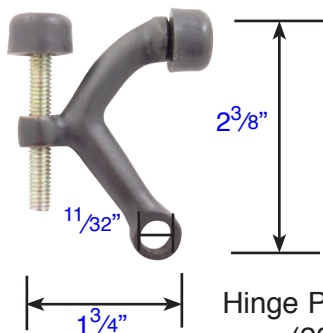
Edge Pull with Screws (2221)



Ball Catch  
with Strike & Screws (8802)



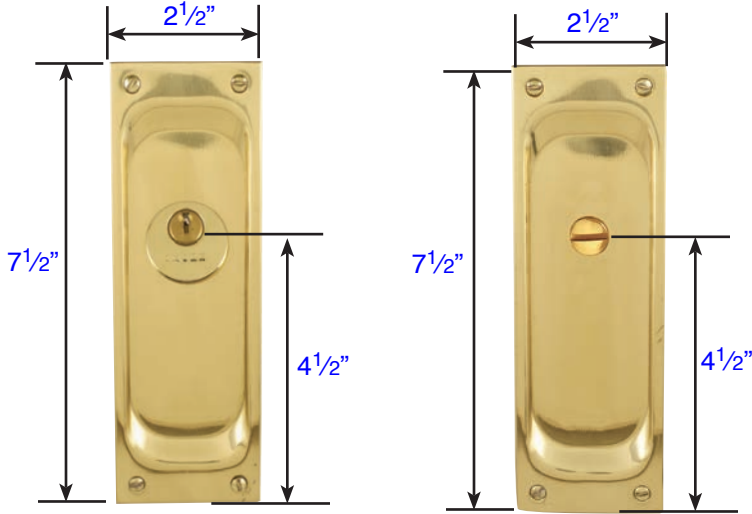
Roller Catch  
with Strike & Screws (8801)



Hinge Pivot Stop  
(2241)



Extended Button Tip  
(2242)



Pocket Door Mortise Locks - Classic  
 Keyed - (2103)  
 Passage - (2104)  
 Privacy - (2105)  
 Dummy - (2106)

- Fits standard door thickness 1<sup>3</sup>/<sub>8</sub>" to 1<sup>3</sup>/<sub>4</sub>"  
 ( Must Specify Door Thickness)
- Plates are 1/16" Thick

Solid Brass Door Viewer  
(2610)



- Fits standard door thickness 1<sup>3</sup>/<sub>8</sub>" to 2"  
 ( not available for thicker door)

Half Dome Door Stop  
(2251)



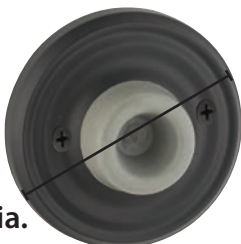
1" Projection (tall)  
 1<sup>13</sup>/<sub>16</sub>" Base Diameter

Goose Style Door Stop  
(2253)



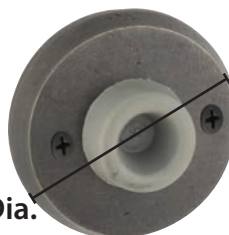
2<sup>7</sup>/<sub>8</sub>" Tall

Brass Wall Bumper  
with Regular Rosette  
(2255)



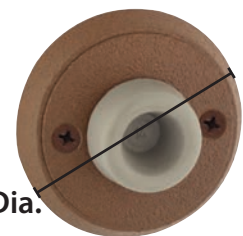
2<sup>3</sup>/<sub>4</sub>" Dia.

Sandcast Bronze Wall Bumper  
with #2 Rosette  
(2255)



2<sup>3</sup>/<sub>4</sub>" Dia.

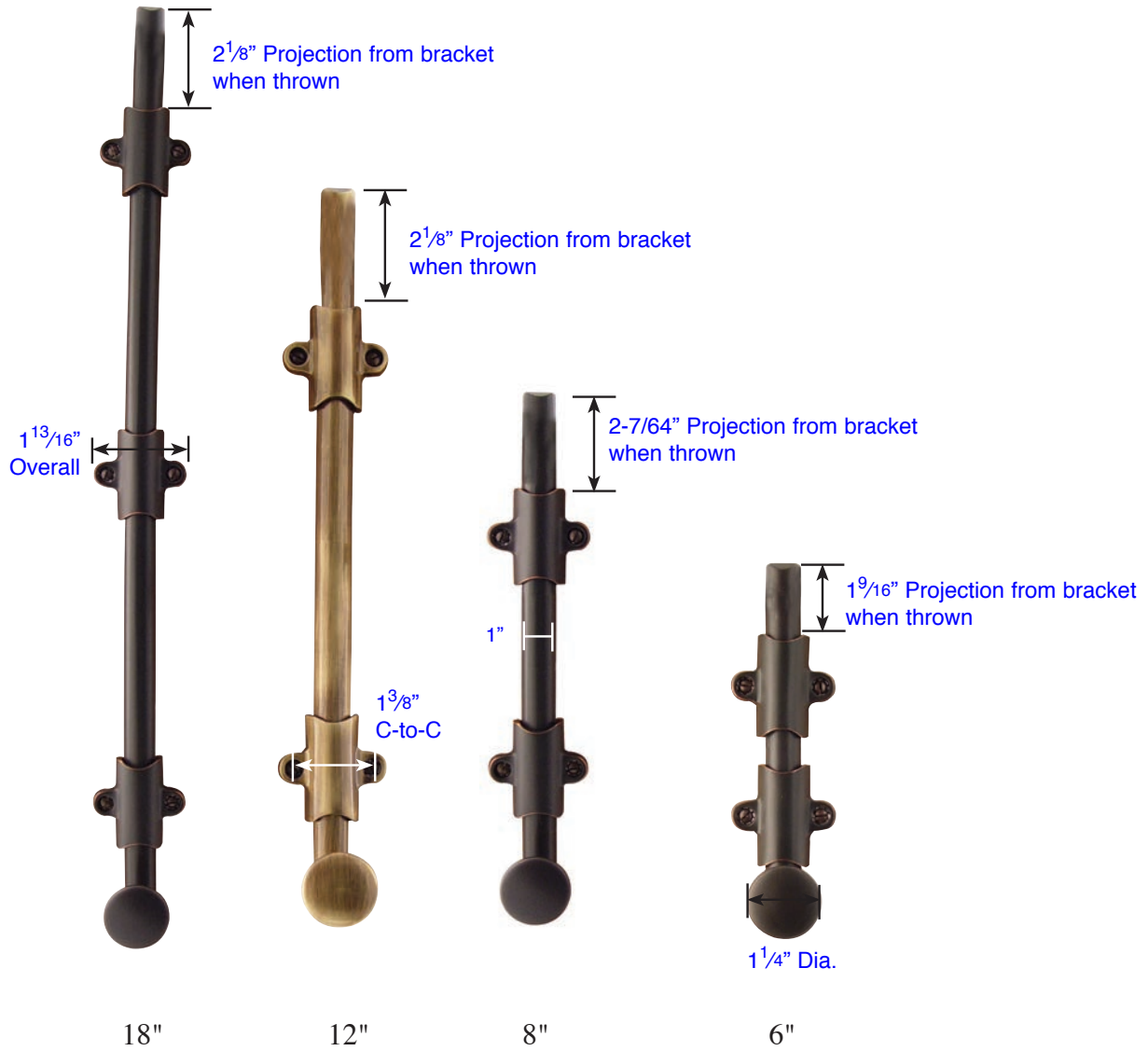
Wrought Steel Wall Bumper  
with #2 Rosette  
(2255)



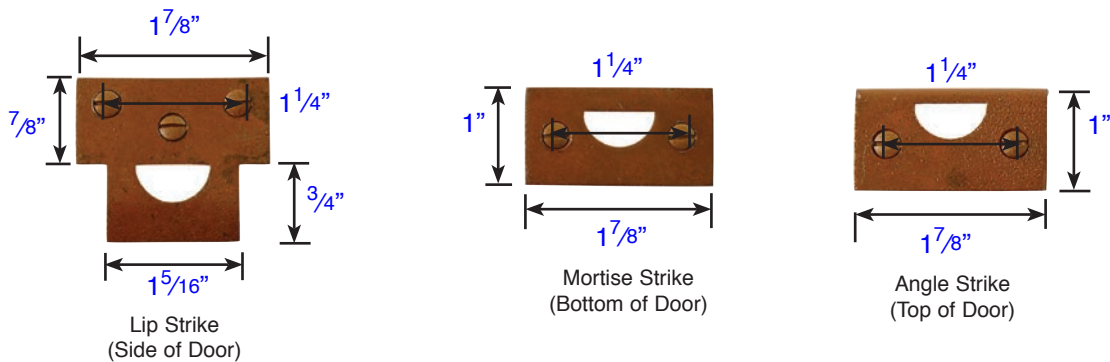
2<sup>5</sup>/<sub>8</sub>" Dia.

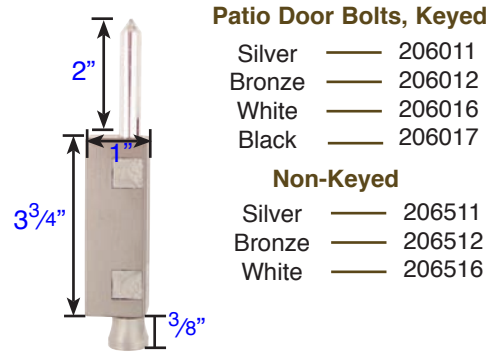
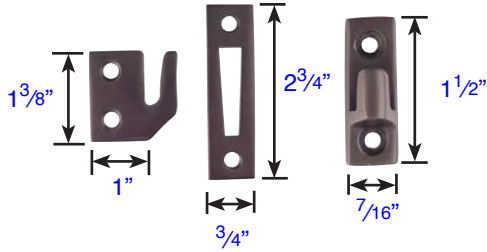


Solid Brass Surface Bolts, 6" (8511), 8" (8515), 12" (8512), 18" (8513), 24" (8514)

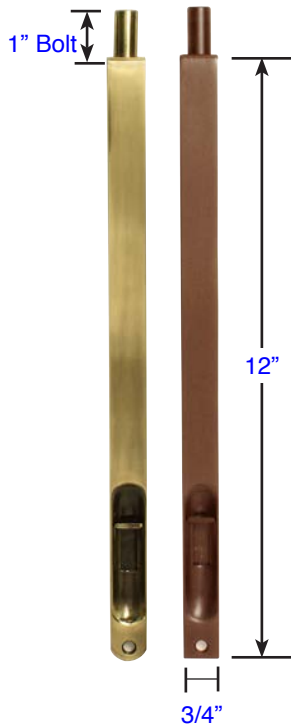


Surface Bolts Strike Plates

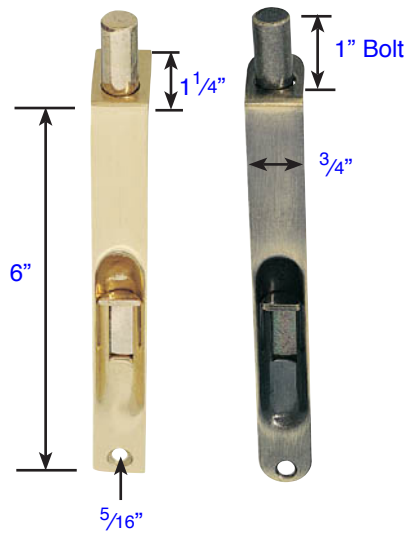




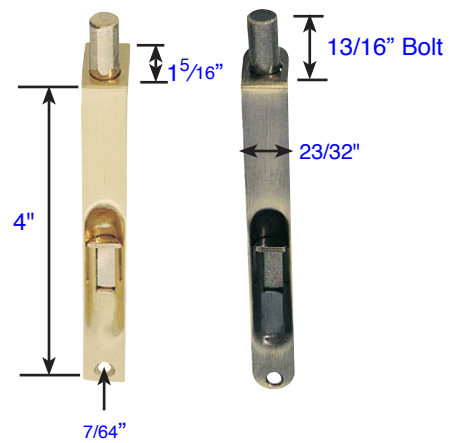
**12" Flush Bolts**



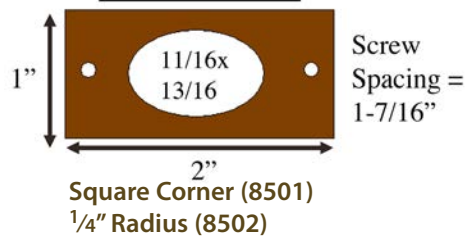
**6" Flush Bolts**



**4" Flush Bolts**

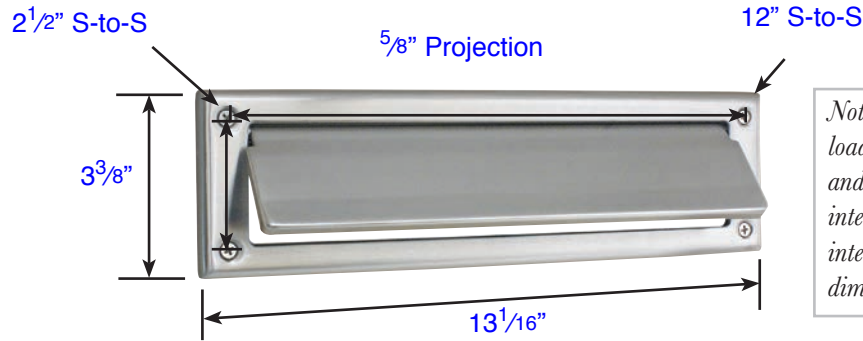


**Flush Bolt Strike**



**SOLID BRASS MAIL SLOT**

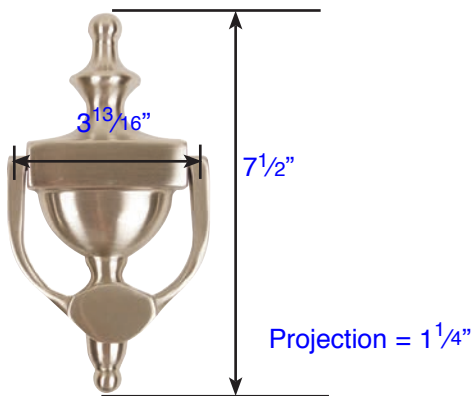
**Brass Mail Slot (2280)**



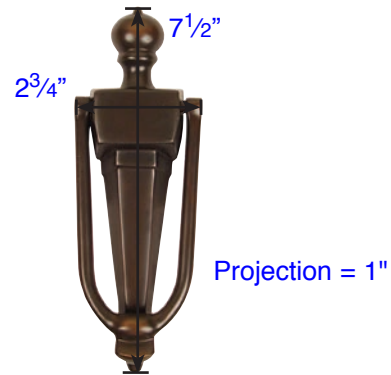
*Note: Mail flap is spring loaded on the exterior and swing loosely on the interior. Both exterior and interior trims have the same dimensions.*

**SOLID BRASS DOOR KNOCKERS**

**Urn Style (2620)**



**Narrow Style (2621)**



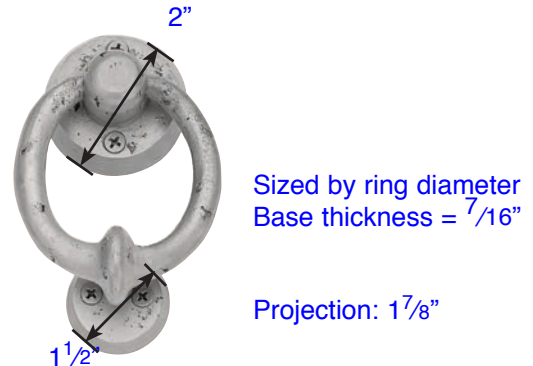
*Note: We recommend that US3 finish be selected for those who intend to have the door knocker engraved. Emttek does not offer engraving services at this time*

**BRONZE DOOR KNOCKERS AND RING PULL**

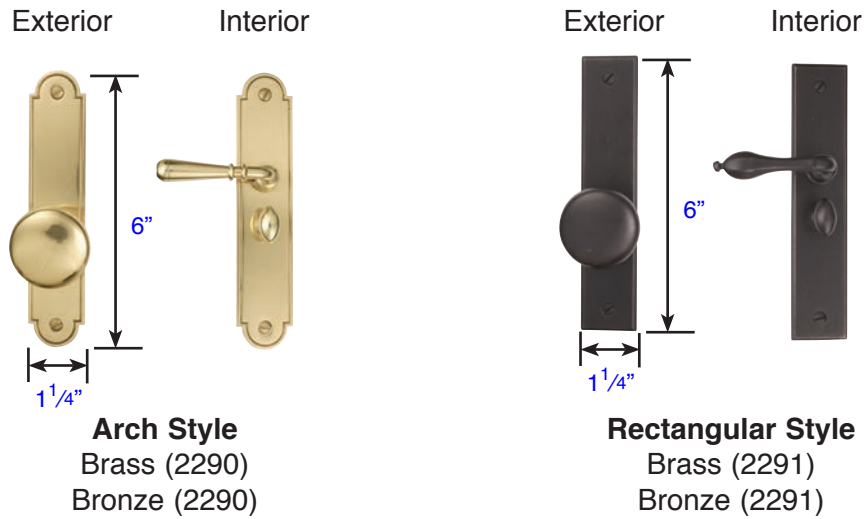
**3" Door Knocker (86059)**



**4" Door Knocker (86060)**

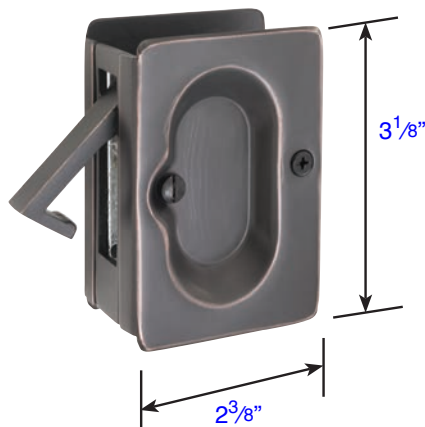


### Screen Door Locksets



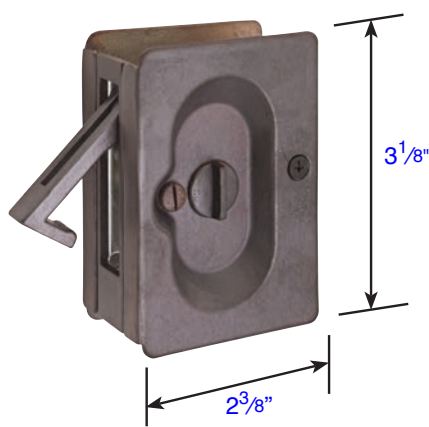
Exterior & Interior  
Clearance:  $\frac{3}{4}$ "  
Projection:  $1\frac{5}{8}$ "  
Lever Length:  $2\frac{5}{8}$ "  
Knob Diameter:  $1\frac{11}{16}$ "  
Door Thickness Specifications:  $1"-1\frac{3}{4}"$

### POCKET DOOR LOCKS



**Passage Function**

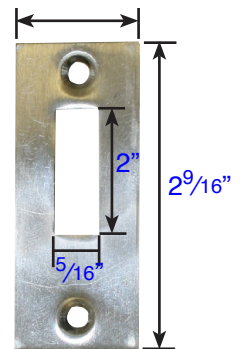
- Fits door thickness  $1\frac{3}{8}"$  to  $1\frac{3}{4}"$
- Standard rectangular door prep  $2\frac{5}{8}"$  x  $1\frac{3}{4}"$



**Privacy Function**

- Fits door thickness  $1\frac{3}{8}"$  to  $1\frac{3}{4}"$
- Standard rectangular door prep  $2\frac{5}{8}"$  x  $1\frac{3}{4}"$
- Complete with strikeplate

Strike Plate  
(for privacy only)  
 $1\frac{1}{16}"$



$2"$  Screw-to-Screw  
 $\frac{1}{16}"$  Thick

Door Accessories - House Numbers

Supplied With Matching Screws

0  
4"(2814), 6"(2820)

1  
4"(2811), 6"(2821)

2  
4"(2812), 6"(2822)

3  
4"(2813), 6"(2823)

4  
4"(2814), 6"(2824)

5  
4"(2815), 6"(2825)

6  
4"(2816), 6"(2826)

7  
4"(2817), 6"(2827)

8  
4"(2818), 6"(2828)

9  
4"(2819), 6"(2829)

Brass 4"  
Width: 2<sup>1</sup>/<sub>4</sub>"  
Thickness: <sup>3</sup>/<sub>16</sub>"

Brass 6"  
Width: 2<sup>3</sup>/<sub>4</sub>"  
Thickness: <sup>3</sup>/<sub>16</sub>"

**BRONZE HOUSE NUMBERS**

0  
4"(2810), 6"(2820)

1  
4"(2811), 6"(2821)

2  
4"(2812), 6"(2822)

3  
4"(2813), 6"(2823)

4  
4"(2814), 6"(2824)

5  
4"(2815), 6"(2825)

6  
4"(2816), 6"(2826)

7  
4"(2817), 6"(2827)

8  
4"(2818), 6"(2828)

9  
4"(2819), 6"(2829)

Bronze 4"  
Width: 3<sup>1</sup>/<sub>4</sub>"  
Thickness: <sup>3</sup>/<sub>16</sub>"

Bronze 6"  
Width: 4<sup>5</sup>/<sub>8</sub>"  
Thickness: <sup>3</sup>/<sub>16</sub>"

Switch Plates Forged Brass - Colonial Design

Includes 1/2" & 3/4" 6-32 Machine Screws  
All Plates approx. 1/4" Thick

<p>4<sup>5</sup>/<sub>8</sub>" H x 2<sup>7</sup>/<sub>8</sub>" W</p>	<p><b>Description</b></p> <p>Toggle 1, Colonial Switch Plate (29111)</p> <p>Toggle 2, Colonial Switch Plate (29112)</p> <p>Toggle 3, Colonial Switch Plate (29113)</p> <p>Toggle 4, Colonial Switch Plate (29114)</p>	<p>4<sup>5</sup>/<sub>8</sub>" Squared</p>	<p>4<sup>5</sup>/<sub>8</sub>" H x 6<sup>3</sup>/<sub>8</sub>" W</p>	<p>4<sup>5</sup>/<sub>8</sub>" H x 8<sup>1</sup>/<sub>4</sub>" W</p>
--	---	--	--	--

<p>4<sup>5</sup>/<sub>8</sub>" H x 2<sup>7</sup>/<sub>8</sub>" W</p>	<p>Rocker 1, Colonial Switch Plate (29121)</p> <p>Rocker 2, Colonial Switch Plate (29122)</p> <p>Rocker 3, Colonial Switch Plate (29123)</p> <p>Rocker 4, Colonial Switch Plate (29124)</p>	<p>4<sup>5</sup>/<sub>8</sub>" Squared</p>	<p>4<sup>5</sup>/<sub>8</sub>" H x 6<sup>3</sup>/<sub>8</sub>" W</p>	<p>4<sup>5</sup>/<sub>8</sub>" H x 8<sup>1</sup>/<sub>4</sub>" W</p>
--	---	--	--	--

<p>4<sup>5</sup>/<sub>8</sub>" H x 2<sup>7</sup>/<sub>8</sub>" W</p>	<p>Duplex 1, Colonial Switch Plate (29131)</p> <p>Duplex 2, Colonial Switch Plate (29132)</p>	<p>4<sup>5</sup>/<sub>8</sub>" Squared</p>
--	---	--

<p>4<sup>5</sup>/<sub>8</sub>" Squared</p>	<p>Toggle 1, Duplex 1 (29141)</p> <p>Toggle 2, Duplex 1 (29142)</p> <p>Rocker 1, Duplex 1 (29143)</p>	<p>4<sup>5</sup>/<sub>8</sub>" H x 6<sup>3</sup>/<sub>8</sub>" W</p>	<p>4<sup>5</sup>/<sub>8</sub>" Squared</p>
--	---	--	--

<p>4<sup>5</sup>/<sub>8</sub>" H x 2<sup>7</sup>/<sub>8</sub>" W</p> <p>3<sup>1</sup>/<sub>4</sub>" C-to-C</p>	<p>Colonial Blank Plate (29151)</p>
--	-------------------------------------

<p>4<sup>5</sup>/<sub>8</sub>" H x 2<sup>7</sup>/<sub>8</sub>" W</p> <p>3/8" Dia.</p>	<p>Colonial Cable Plate (29161)</p>
---	-------------------------------------

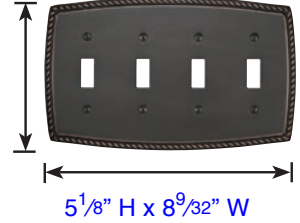
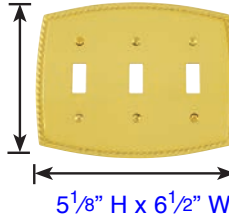
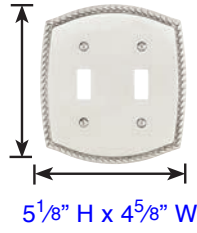
Switch Plates Forged Brass - Rope Design

Includes 1/2" & 3/4" 6-32 Machine Screws

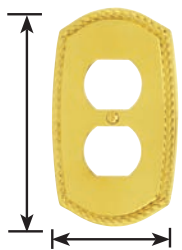
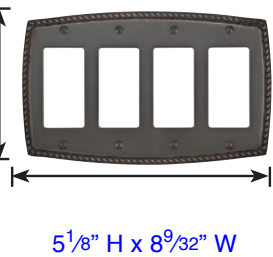
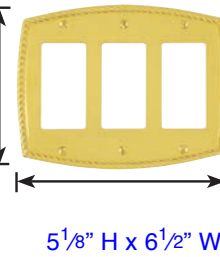
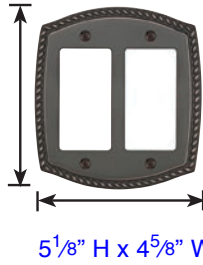
All Plates approx. 5/16" Thick



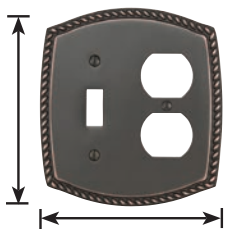
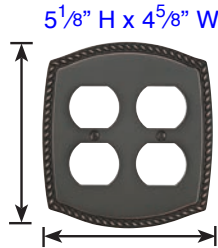
- Description**
- Toggle 1, Rope Switch Plate (29211)
  - Toggle 2, Rope Switch Plate (29212)
  - Toggle 3, Rope Switch Plate (29213)
  - Toggle 4, Rope Switch Plate (29214)



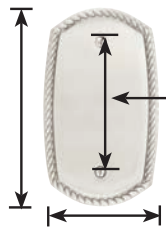
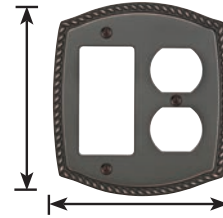
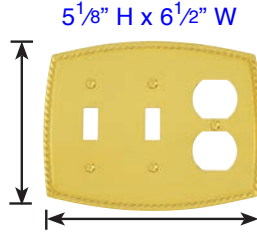
- Rocker 1, Rope Switch Plate (29221)
- Rocker 2, Rope Switch Plate (29222)
- Rocker 3, Rope Switch Plate (29223)
- Rocker 4, Rope Switch Plate (29224)



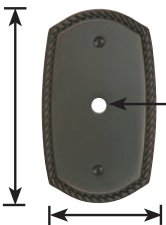
- Duplex 1, Rope Switch Plate (29231)
- Duplex 2, Rope Switch Plate (29232)



- Toggle 1, Duplex 1 (29241)
- Toggle 2, Duplex 1 (29242)
- Rocker 1, Duplex 1 (29243)



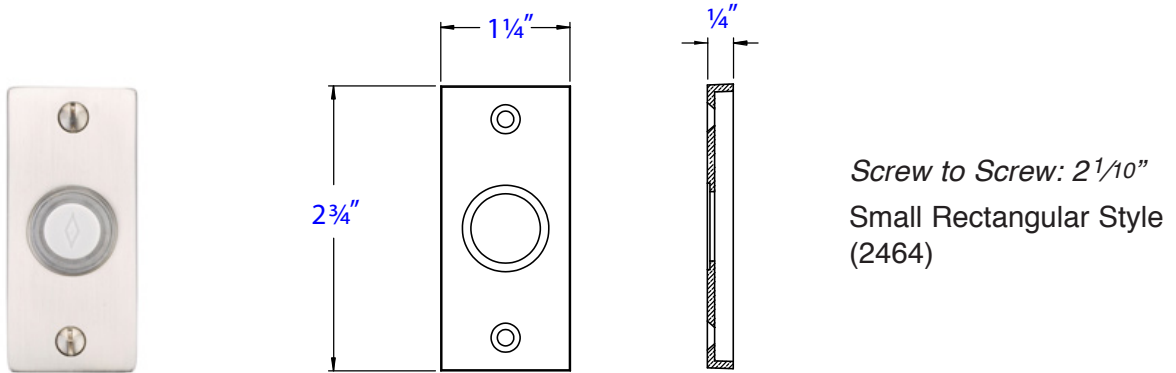
- Rope Blank Plate (29251)



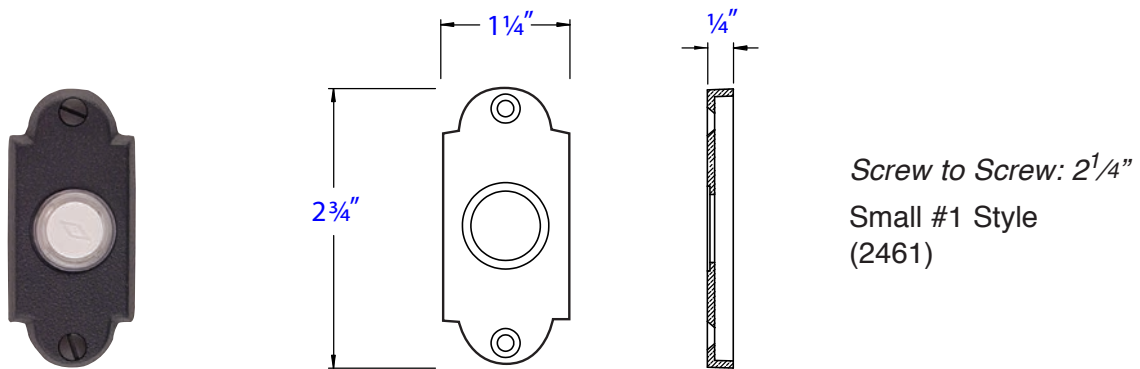
- Rope Cable Plate (29261)

## Door Bell - Small Rosette Style

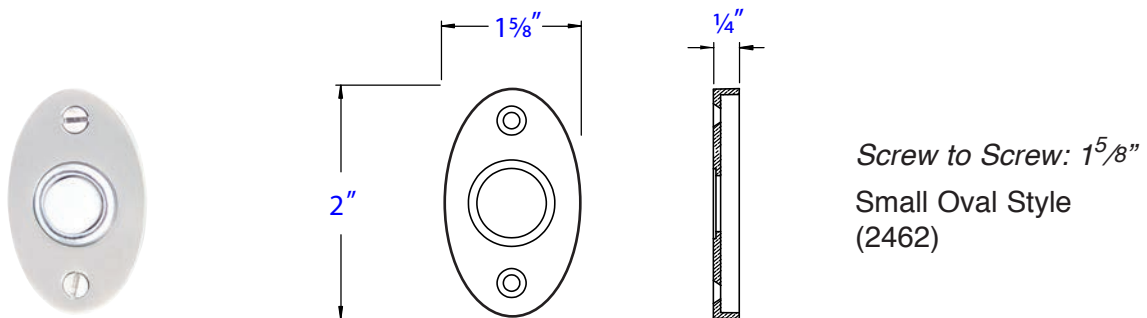
Supplied With Matching Screws &amp; Lighted Button



Screw to Screw: 2 1/10"  
 Small Rectangular Style  
 (2464)



Screw to Screw: 2 1/4"  
 Small #1 Style  
 (2461)



Screw to Screw: 1 5/8"  
 Small Oval Style  
 (2462)

**\*Note:**

These are the dimensions for these three styles only. All other doorbell button rosettes are the same dimensions as the passage/privacy rosettes.



**Thru-Bolt Mount with Decorative Caps**



**How To Order:**

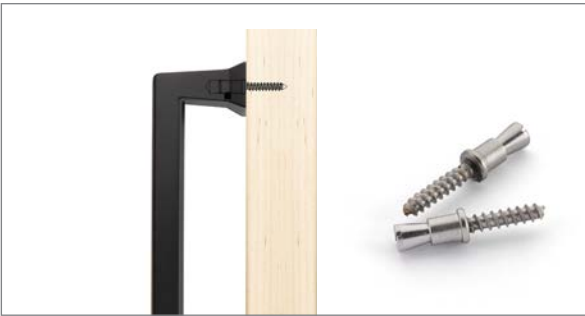
86442 US19  
Product Code Finish

Appliance/Door pulls are drilled and tapped for 3/8"-16 thread to accommodate thread adapters. Fits standard door thickness of 1 3/4". Specify if thicker.

**Supplied with:**

- Two- Thread adapters for 1/4 -20 thread
- Two- 1/4 -20 Flat head machine screws x 1" long
- Two- Thread adapters for 10-32 thread
- Two- 10-32 Flat head machine screws x 1" long
- Two- 10-32 Flat head machine screws x 2" long
- Two- Threaded Washers
- Two- Decorative Caps

**Concealed Surface Mount (CS)**



**How To Order:**

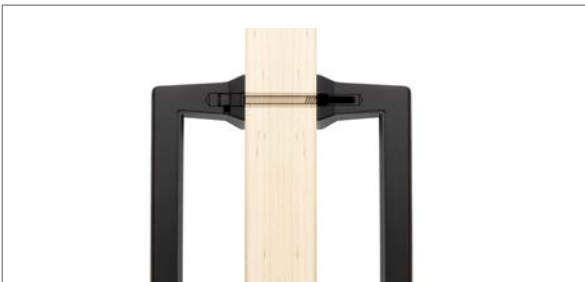
CS 86442 US19  
Concealed Surface Mount Product Code Finish

Most standard appliance pulls and door pulls are available with Concealed Surface mounting. Fits minimum door thickness of 1 1/4".

**Supplied with:**

- One grip with 3/8" diameter hole in the stem
- Two- #10, 1" bevel head wood screws
- Two- 1-32 set screws

**Back to Back Mount (BTB)**



**How To Order:**

BTB 86442 US19  
Back to Back Mount Product Code Finish

Most standard appliance pulls and door pulls are available with Back to Back mounting. Fits standard door thickness of 1 3/4". Specify if thicker.

**Supplied with:**

- One grip with 10-32 threads in the stem
- One mating grip with 3/8" diameter hole in the stem
- Two- 3/8" diameter bevel head screws with 10-32 shaft by 2 1/2" long
- Two- 10-32 set screws