



see what Delta can do™

BAR & PREP SINK FAUCETS

- Pivotal™ Collection
- Single Handle Deck Mount

STANDARD SPECIFICATIONS:

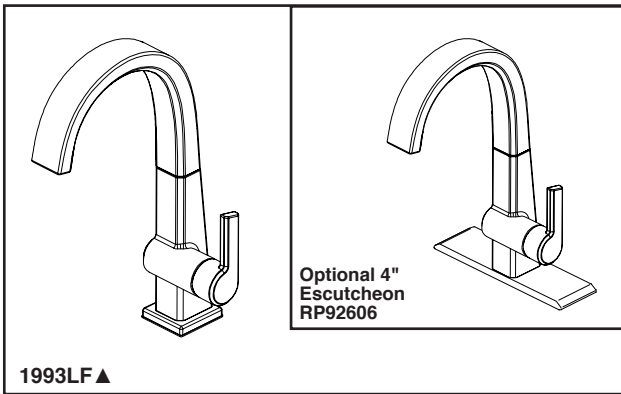
- Max flow rate: 1.5 gpm @ 60 psi, 5.7 L/min @ 414 kPa
- Solid brass fabricated body
- 120° Rotating spout
- Red/Blue indicator markings
- Ceramic disc carriage
- ADA compliant lever handle
- One or three hole mount (4" escutcheon optional, not included)
- Order RP91950 for coordinating soap dispenser

WARRANTY

- Lifetime limited warranty on parts (other than electronic parts and batteries) and finishes: or, for commercial users, for 5 years from date of purchase.
- 5 year limited warranty on electronic parts (other than batteries); or, for commercial users, for 1 year from the date of purchase. No warranty is provided on batteries.

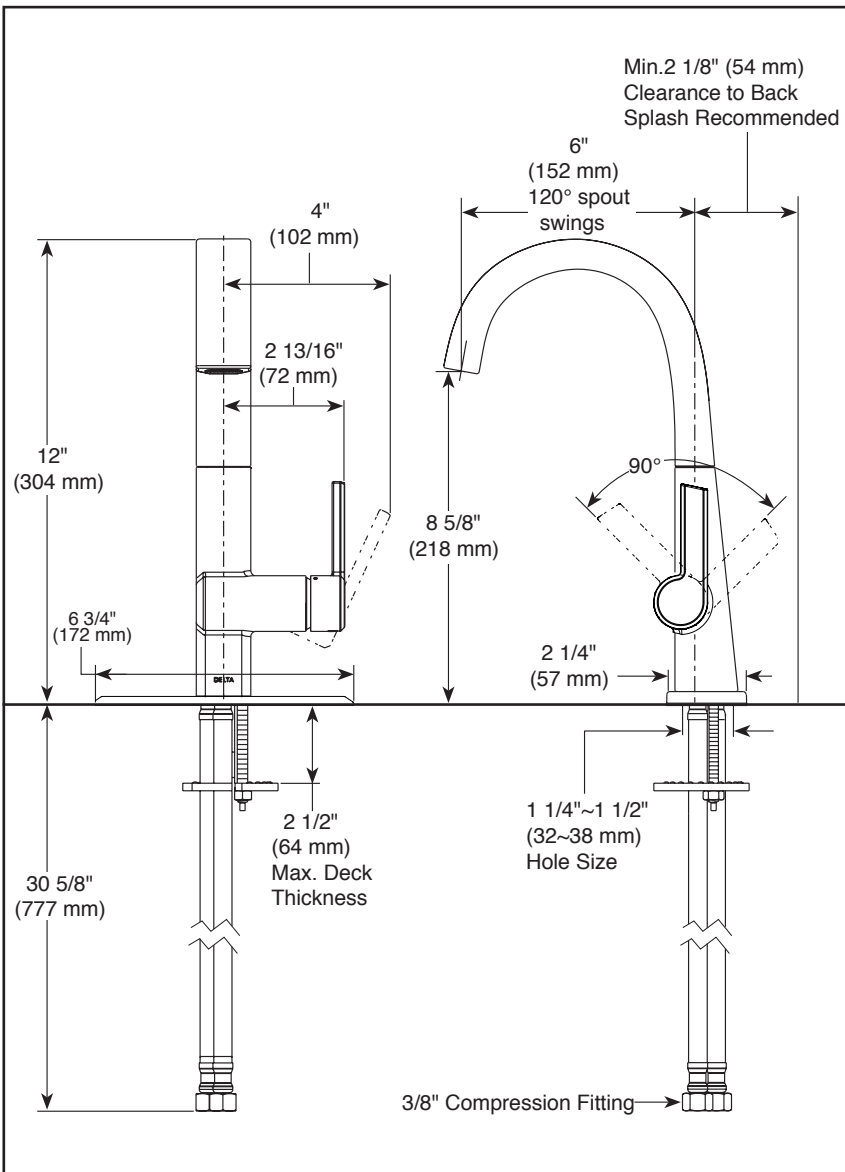
COMPLIES WITH:

- ASME A112.18.1 / CSA B125.1
- ♿ Indicates compliance to ICC/ANSI A117.1



Submitted Model No.: _____

Specific Features: _____



▲ Designate proper finish suffix

Delta reserves the right (1) to make changes in specifications and materials, and (2) to change or discontinue models, both without notice or obligation. Dimensions are for reference only. See current full-line price book or www.deltafaucet.com for finish options and product availability.

DSP-K-1993LF Rev. D

Delta Faucet Company

55 E. 111th Street, Indianapolis, IN 46280
350 South Edgeware Road, St. Thomas, ON N5P 4L1
© 2022 Delta Faucet Company