

Wisp Single-hole Lavatory Faucet

US-WP110DP

FEATURES

- Kerox ceramic disc cartridge
- Lead-free - faucet contains less than .25% total lead content by weighted volume
- Push drain assembly included
- Available finishes:
 - US-WP110DPC Polished chrome
 - US-WP110DPN Polished nickel
 - US-WP110DPV Stainless

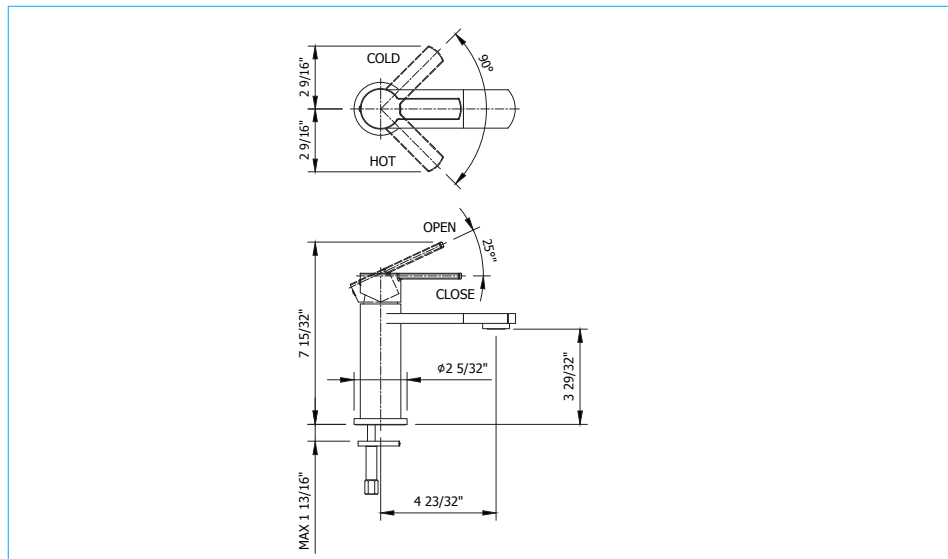


SPECIFICATION

- Spout reach: 4-23/32"
- Spout swivel: No
- Deck thickness maximum: 1-1/2"
- Drain hole diameter: 1-3/4"
- Drain type: Push
- Handle style: Lever
- Minimum water pressure: 2.9 psi
- Maximum water pressure: 87.6 psi
- Installation type: Deck mounted
- Warranty: Limited lifetime
Commercial: 1 year

CERTIFICATIONS

Meets or exceeds ASME A112.18.1/CSA B125.1 ANSI61
 Certifications: IAPMO(cUPC), CEC, WaterSense, State of Massachusetts, and others
 Code compliance: ADA, UPC, cUPC, WaterSense



For further information contact Crosswater London, 393 Fortune Blvd., Milford, MA 01757
Toll free number: 844-XWATER-1 (844-992-8371) tel: 508-381-0433 fax: 508-381-6068

www.crosswater-bathrooms.com | technical@crosswater-bathrooms.com