

## Introduction

The pillar support has been fully inspected throughout the production process and only leaves our factory after a 15-step QC process.

Carefully remove the pillar support from the box and check that all parts have been supplied. Before beginning installation, please check for any damage that may have occurred during transport.

**Note: Damage claims cannot be made during or after installation.**

Improper installation shall result in loss of warranty in case of damage caused by impacts or rubbing against rough surfaces.

**IMPORTANT: Please read these instructions carefully before beginning and retain for future reference.**

**We do not accept responsibility for any problems that may occur through incorrect installation.**

**The installation must comply with all plumbing codes including local codes and be installed by a licensed plumbing contractor.**

## Cleaning Instructions

Rinse away any traces of soap and gently dry with a clean, soft cloth after each use.

Rinse completely with water and dry any overspray. This will maintain the finish and avoid water spotting.

To remove mineral deposits, use a 50/50 solution of white vinegar and water. Do not allow the solution to soak on the product.

Simichrome Polish® contains a protective film to enhance maintenance and is helpful in preventing water spot buildup. Follow instructions to ensure optimum results.

Never use an abrasive material such as a brush or scouring pad to clean the surface. The use of abrasive cleaners, cleansers or disinfectants will alter the surface finish and void the warranty.

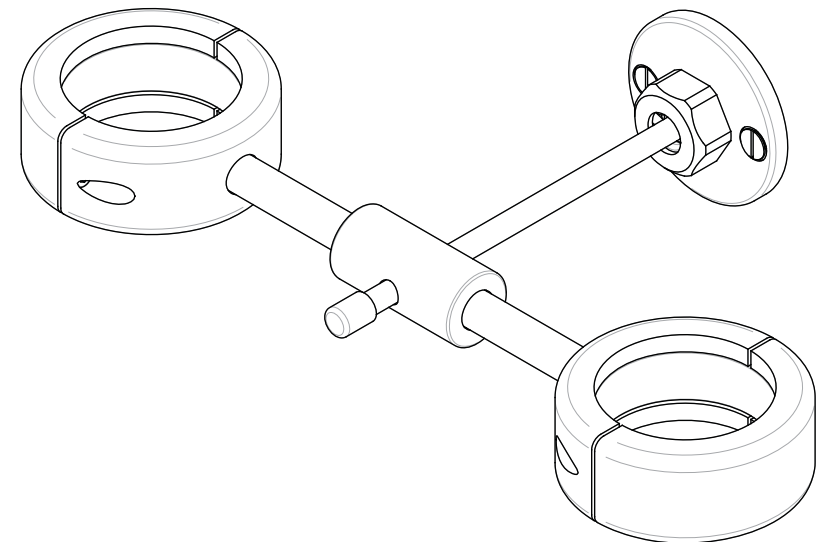
Do not allow certain materials such as toothpaste, cologne, shaving cream, nail polish remover, vinegar, wine, drain and glass cleaners to remain on the surface. Prolonged contact will alter surface finishes and void the warranty.

**We DO NOT recommend using any household cleaners as many can cause damage to the finish.**

Please see the website for care instructions for specific finishes.

## Installation Instructions

### Support for Belgravia and Waldorf Floor-standing Pillar Legs US-PLS002



Introduction

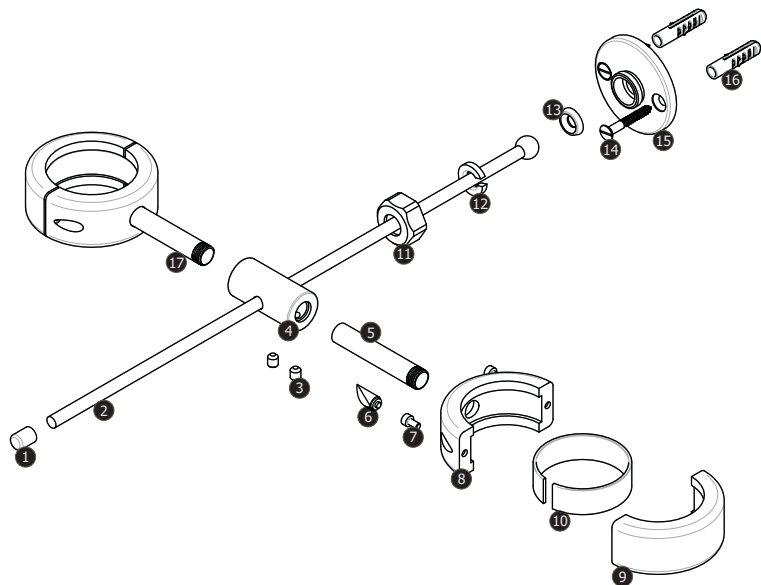
**Please read these instructions carefully and keep in a safe place for future reference.**

**General Installation Guide**

This guide contains all the necessary installation information for the wall support for pillar legs. Please read all the instructions carefully before beginning the installation. Care taken during the installation will ensure long life and trouble-free operation.

Parts List

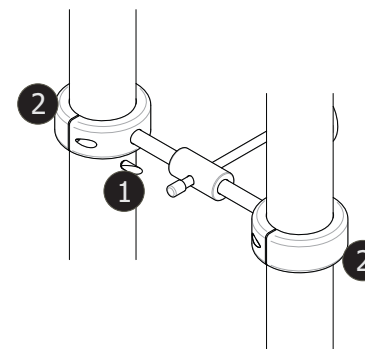
Fig. 1



The set comprises of the following. Check that all parts are present.

- |                               |                                |
|-------------------------------|--------------------------------|
| 1 - Cap                       | 10 - Inner rings (x2)          |
| 2 - Wall rod (x4)             | 11 - Nut                       |
| 3 - Allen screw (x2)          | 12 - Nut ring                  |
| 4 - Horizontal sleeve (x2)    | 13 - Escutcheon ring           |
| 5 - Horizontal rod            | 14 - Wall screw (x2)           |
| 6 - Leg support cap (x4)      | 15 - Wall escutcheon           |
| 7 - Screw (x4)                | 16 - Wall plug (x2)            |
| 8 - Interior leg support (x2) | 17 - Threaded horizontal rod - |
| 9 - Exterior leg support (x2) | Allen key                      |

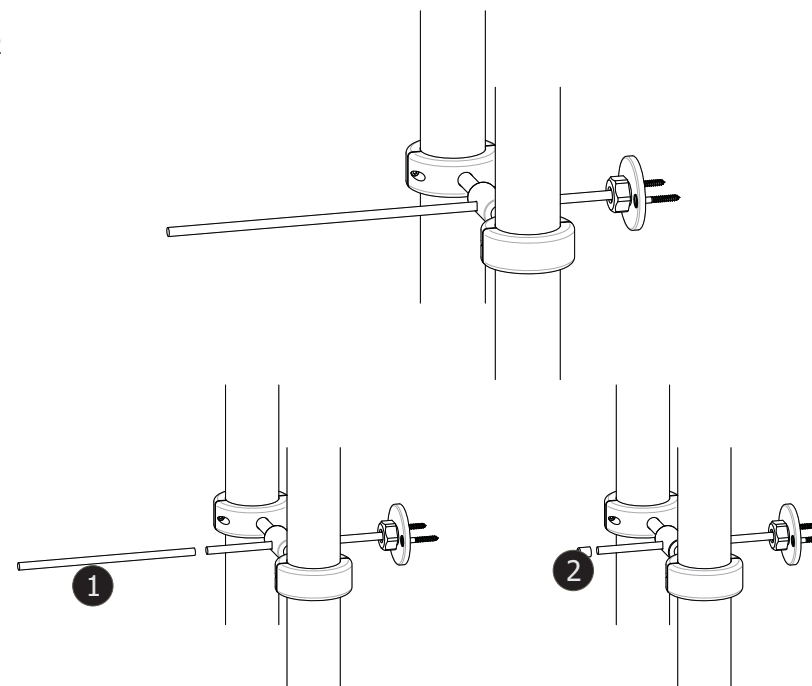
Fig. 11



**11.**

For a better finish, place leg support caps (1) on leg supports (2).

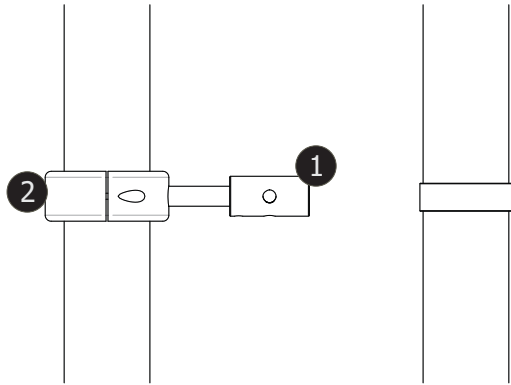
Fig. 12



**12.**

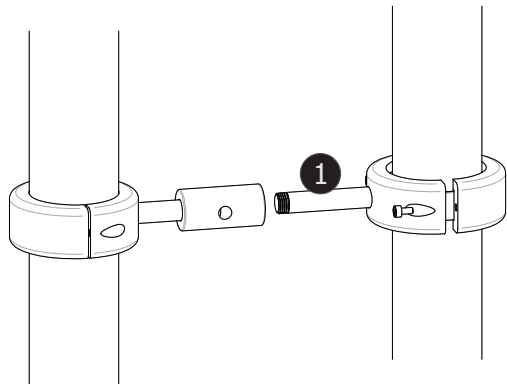
If necessary, use a saw to cut excess of wall rod (1). Place cap (2) on tip of wall rod.

Fig. 5



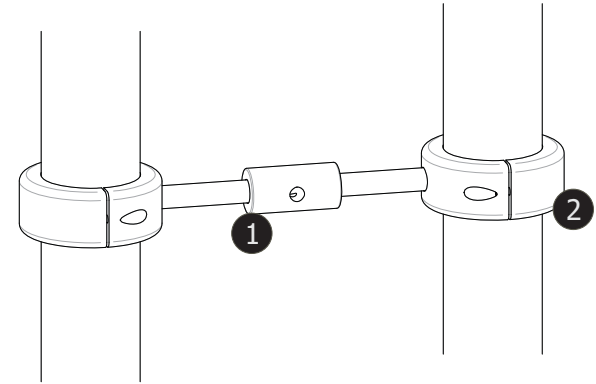
4.  
Install horizontal sleeve (1) into horizontal rod (2)

Fig. 6



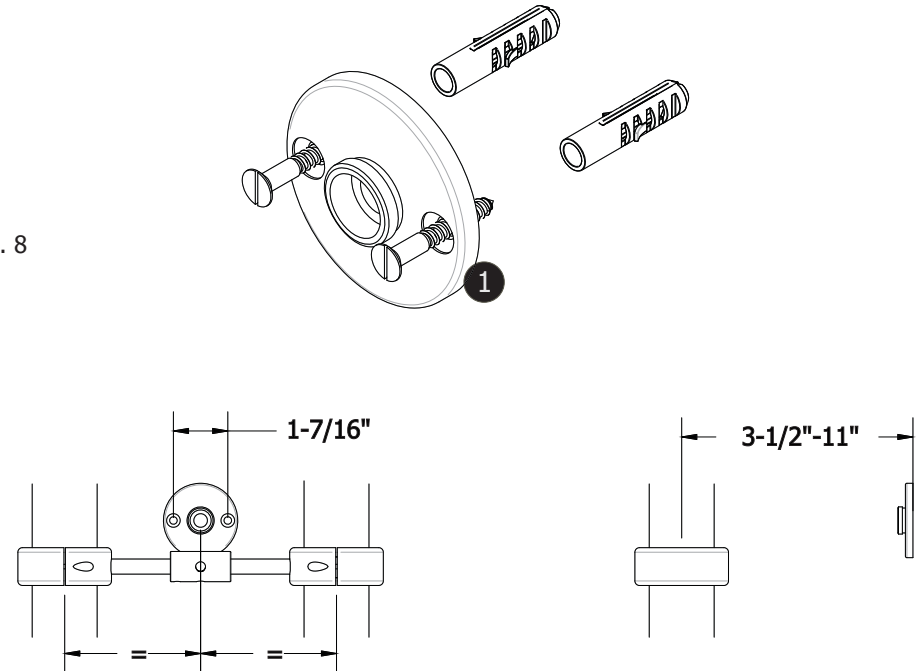
5.  
Install second support leg with threaded rod (1).

Fig. 7



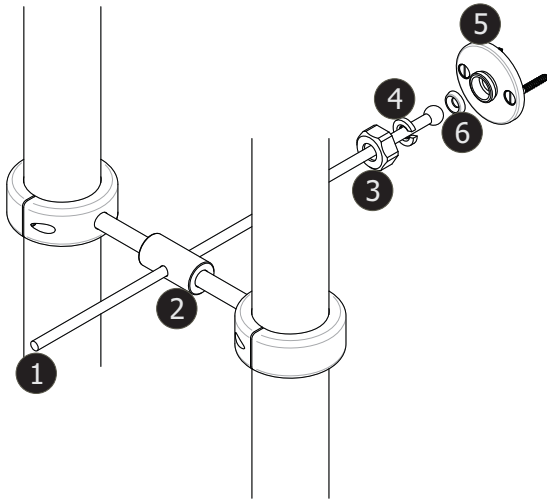
6.  
Tighten horizontal sleeve (1) to second leg support (2).

Fig. 8



7.  
Install wall escutcheon (1). Drill two holes using with 8mm drill. To ensure proper installation, follow advised dimensions.

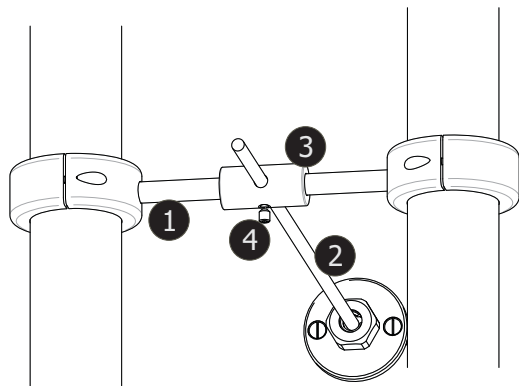
Fig. 9



**8.** Slide wall rod (1) onto horizontal sleeve (2). Rod should already have nut (3) and nut ring (4). Threaded hole on horizontal sleeve (2) should be facing downwards.

Secure rod (1) to wall escutcheon (5). First, place escutcheon ring (6) inside escutcheon. Tighten using 22mm wrench.

Fig. 10



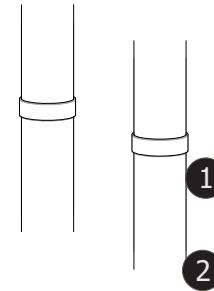
**10.** Secure both horizontal rod (1) and wall rod (2) on the horizontal sleeve (3) by tightening the allen screw (4).

## INSTALLATION

### INSTALLATION

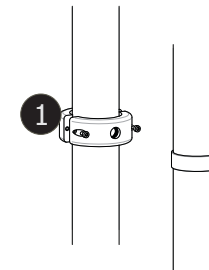
Please confirm all dimensions presented while installing.

Fig. 2



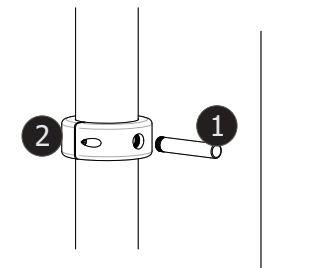
**1.** Place the inner rings (1) on the legs (2).

Fig. 3



**2.** Clamp the leg support without rod (1) first.

Fig. 4



**3.** Install horizontal rod (1) into leg support (2).