

## Deck-mount Tub Faucet with Handshower Rough for 15-03-T and 17-03-T Trims DTHS-S-RGH

### Installation Instructions



For easy installation of your faucet you will need:

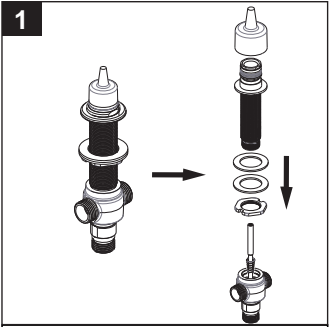
- To read all the installation completely before beginning.
- To read all warnings, care, and maintenance information.

Before beginning installation, check for any damage that may have occurred during transport.

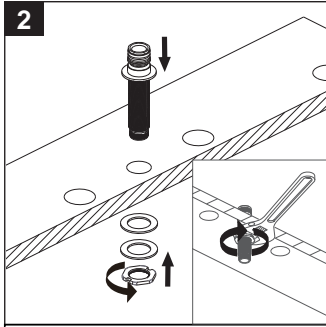
**Note: Damage claims cannot be made during or after installation.**



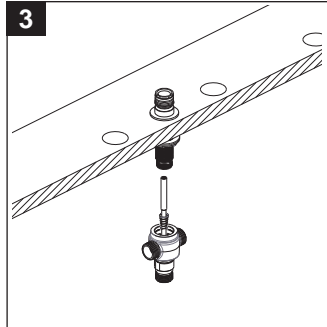
**Installation Instructions**



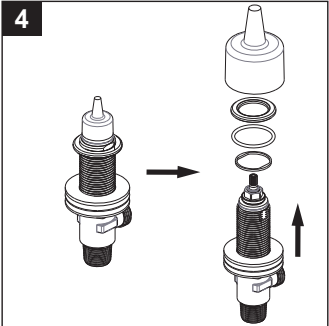
1 Remove the mud guard from the spout nipple-diverter assembly and unthread the diverter assembly.



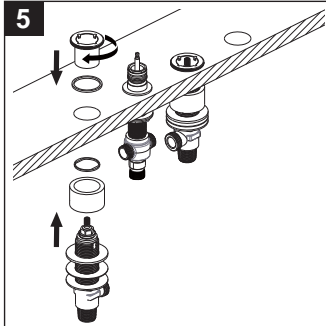
2 Slide the spout nipple down into the spout hole and secure by threading on the washer and nut.



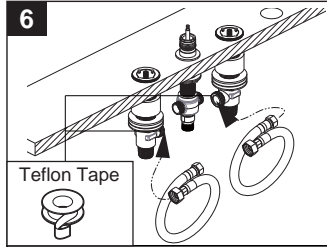
3 Re-attach the diverter assembly to the spout nipple.



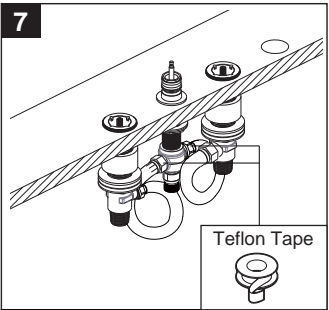
4 Remove the mud guards from the hot and cold valves.



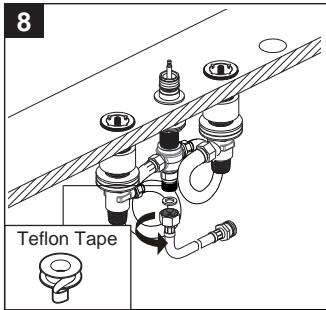
5 Push the hot and cold valves up from the bottom and thread on the valve nuts from the top to secure the valves



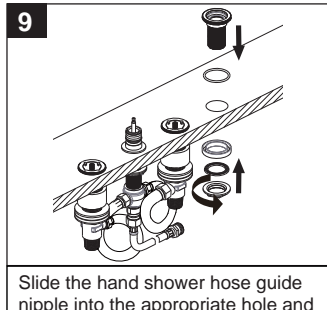
6 Apply teflon tape to the hot and cold valve outlets and attach flex lines. If you have set the hot and cold valves more than 12" from the spout nipple-diverter assembly, please supply a code approved supply line and attach as noted in steps 6 and 7.



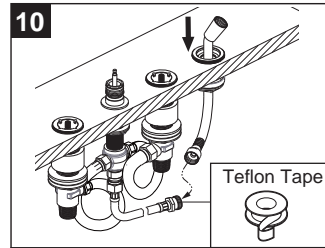
7 Apply teflon tape to the hot and cold valve inlets on the spout nipple-diverter assembly and attach the hot and cold flex lines.



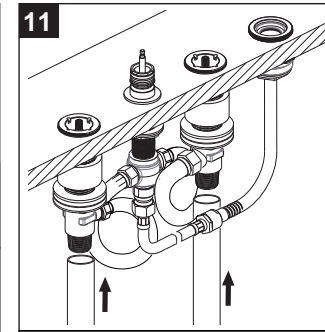
8 Apply teflon to the bottom outlet on the spout nipple-diverter assembly and attach the rough hand shower hose with washer.



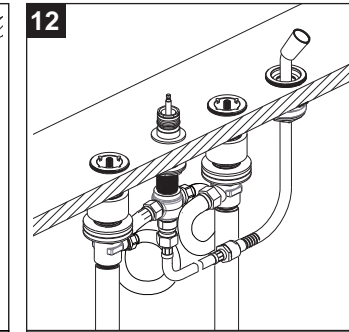
9 Slide the hand shower hose guide nipple into the appropriate hole and secure by threading on the nut and washer. For optimum hand shower usage it should be located no farther than 24" from the spout.



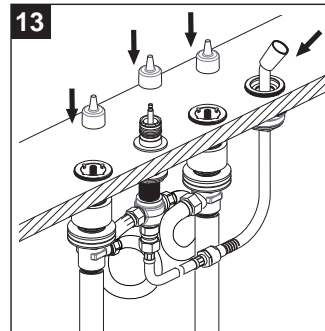
Slide the black nylon or finished hand shower hose into the hand shower hose guide nipple and attach to rough hand shower hose using teflon tape. For optimum hand shower usage it should be located no farther than 24" from the spout.



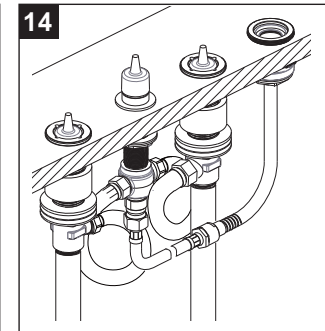
Connect valve body to water supplies using the proper fittings.



Turn on water supply and check for leaks.



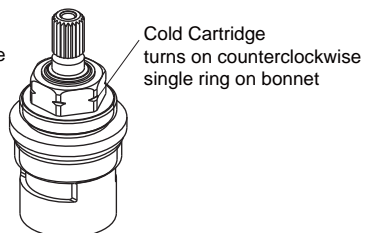
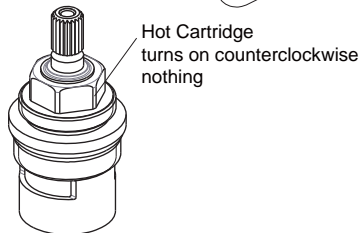
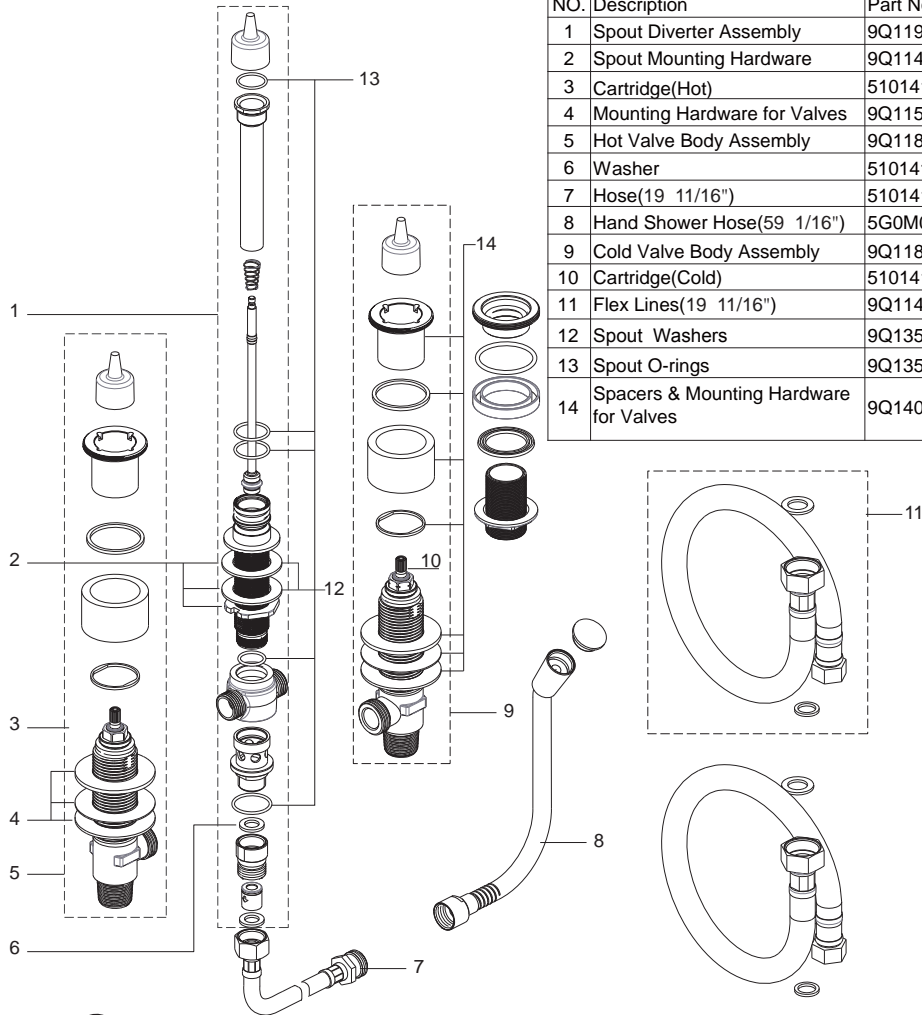
Replace mud guards.



Installation completed.

**Replacement Parts**

NO.	Description	Part No.
1	Spout Diverter Assembly	9Q1190NT
2	Spout Mounting Hardware	9Q1149NT
3	Cartridge(Hot)	51014109NT
4	Mounting Hardware for Valves	9Q1151NT
5	Hot Valve Body Assembly	9Q1188NT
6	Washer	51014130PL
7	Hose(19 11/16")	51014144NC
8	Hand Shower Hose(59 1/16")	5G0M0191CP
9	Cold Valve Body Assembly	9Q1189NT
10	Cartridge(Cold)	51014116NT
11	Flex Lines(19 11/16")	9Q1148PL
12	Spout Washers	9Q1355PL
13	Spout O-rings	9Q1354PL
14	Spacers & Mounting Hardware for Valves	9Q1402NT



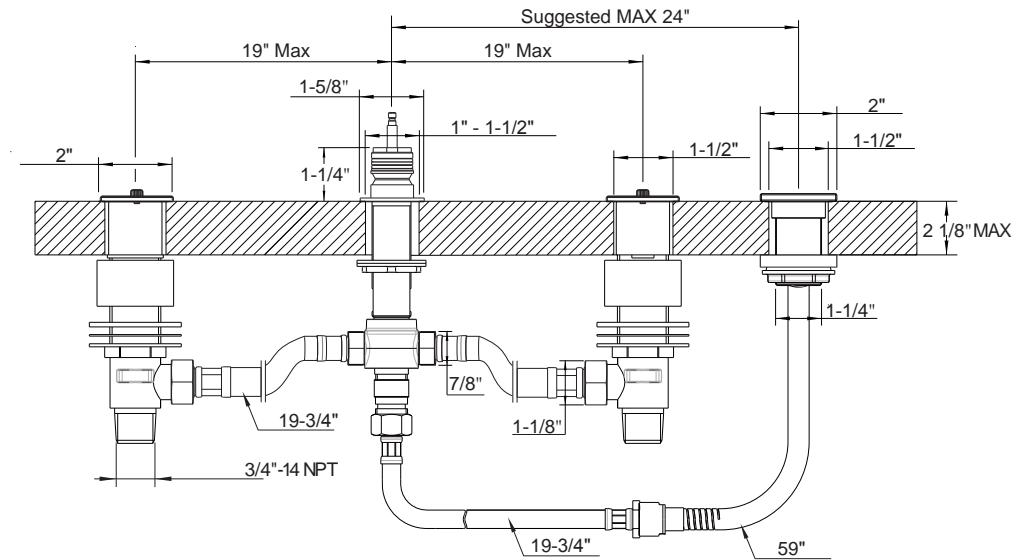
**Applicable Standards/Codes**

IAPMO certified to meet or exceed the following:

- ASME A112.18.1/CSA B125.1
- Uniform Plumbing Code
- National Plumbing Code of Canada



**Installation Dimensions**



**Warranty** - This Crosswater London product is covered by a limited lifetime warranty. For full details, terms and conditions please visit our website. For further information contact: **Crosswater London**, 393 Fortune Blvd., Milford, MA 01757 [www.crosswaterlondon.com](http://www.crosswaterlondon.com)  
Toll free number: 844-XWATER-1 (844-992-8371) tel: 508-381-0433 fax: 508-381-6068 email: [technical@crosswaterlondon.com](mailto:technical@crosswaterlondon.com)