

Darby Trim for Dual-handle Thermostatic Valve with Volume Control and Diverter 15-20-T

Installation Instructions



Tools You Will Need



Adjustable Wrench



Adjustable Pliers



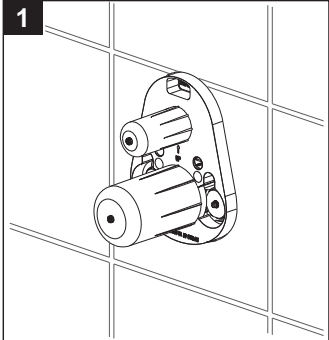
Screwdriver

For ease of installation you will need:

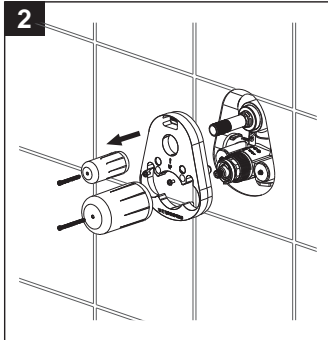
- To read the installation instructions completely before beginning.
- To read all warnings, care, and maintenance information.
- To complete the valve rough-in prior to installing this trim kit.

Before beginning installation, check for any damage that may have occurred during transport. **Note: Damage claims cannot be made during or after installation.**

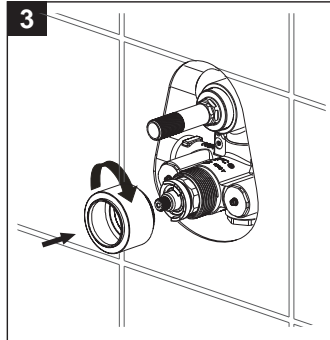
Installation Instructions



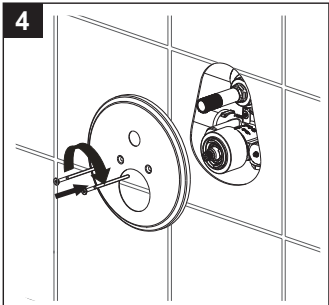
1
Ensure that the valve is installed correctly.



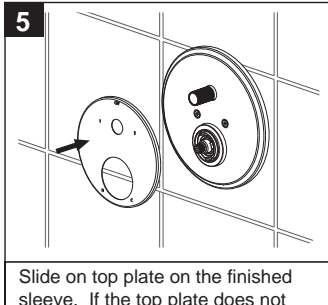
2
Turn off the water supply and remove the mud guard.



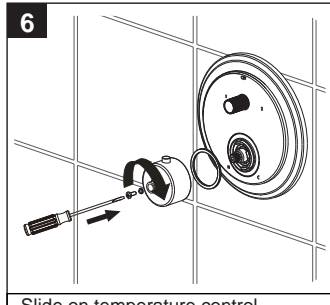
3
Thread on finished sleeve.



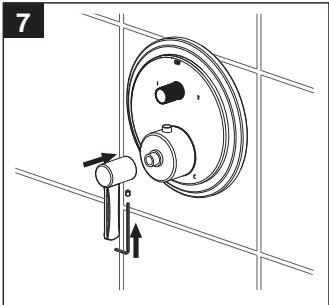
4
Install escutcheon with 2 screws. Do not overtighten the screws.



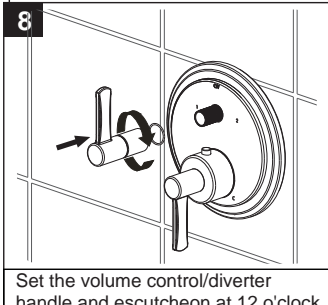
5
Slide on top plate on the finished sleeve. If the top plate does not engage the finished sleeve an extension kit is necessary. Please contact your Crosswater London dealer.



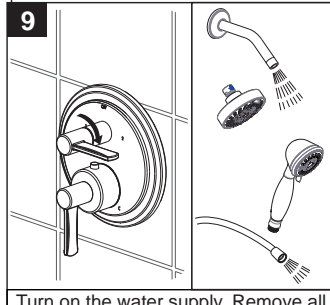
6
Slide on temperature control escutcheon engaging the stem making sure the temperature override button facing straight up. Secure with screw.



7
Align the handle at 6 o'clock position and slide handle into escutcheon and secure with set screw.



8
Set the volume control/diverter handle and escutcheon at 12 o'clock and place on the top stem and nipple. Rotate the escutcheon clockwise to secure the assembly to the plate.



9
Turn on the water supply. Remove all shower heads and/or hand showers. Turn the volume control/diverter handle to each function to flush the system.

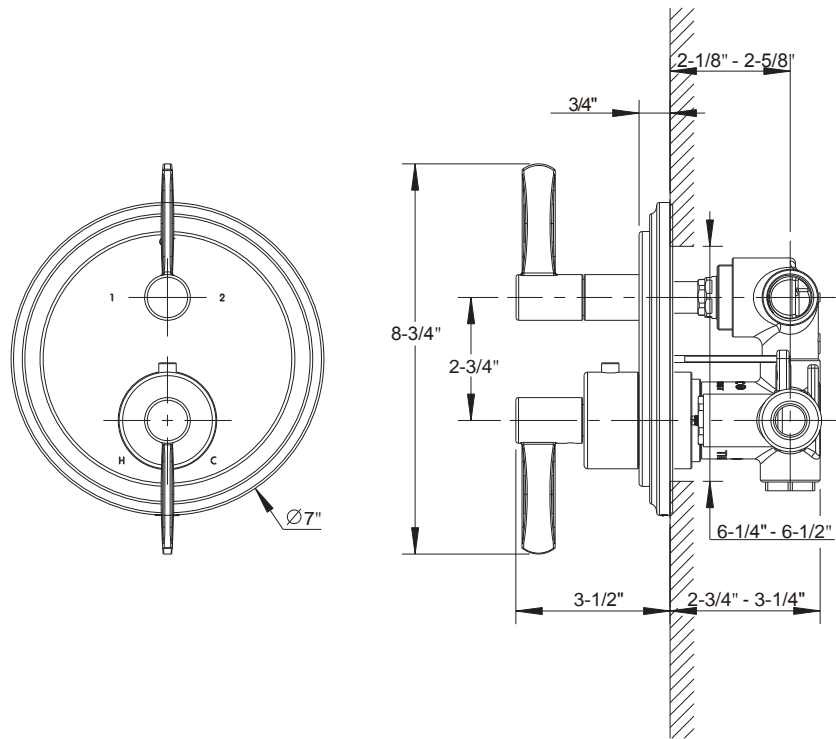
Applicable Standards/Codes

IAPMO certified to meet or exceed the following:

- ASME A112.18.1/CSA B125.1
- Uniform Plumbing Code
- National Plumbing Code of Canada
- ADA Compliant



Installation Dimensions



10

Safety Temperature
100°F

Turn on the water supply, with the temperature control handle in the default position, measure the temperature of the water. If the temperature is 100°F, go to step #14, if not go to step #11.

11

Turn off the water supply. Remove temperature control handle and escutcheon.

12

Safety Temperature
100°F

Rotate the cartridge stem to adjust safety temperature. Rotate clockwise to reduce temperature while rotate counterclockwise to increase temperature. Once the temperature is 100°F go to step #13.

13

Reinstall the temperature control handle and escutcheon making sure the temperature override button is on top and the handle is set at 6 o'clock.

14

Hottest Temperature
107°F

The valve maximum temperature is set at 107°F. Should your customer like to change this go to step #15. If not go to step #20.

15

Turn off the water supply. Remove handle, escutcheon.

16

Remove the inner white temperature range control ring.

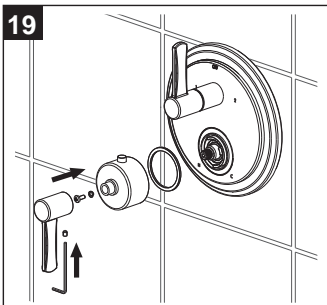
17

Rotate the inner white temperature range control ring to adjust temperature. Rotate clockwise to reduce temperature while rotate counterclockwise to increase temperature.

18

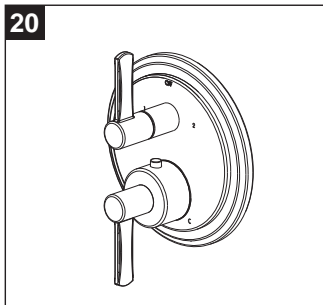
Reinstall the inner white temperature range control ring.

19



Reinstall handle, escutcheon.

20



Installation completed.

Cleaning Instructions

Rinse away any traces of soap and gently dry with a clean, soft cloth after each use. Rinse completely with water and dry any overspray. This will maintain the finish and avoid water spotting.

To remove mineral deposits, use a 50/50 solution of white vinegar and water. Do not allow the solution to soak on the product.

Simichrome Polish® contains a protective film to enhance maintenance and is helpful in preventing water spot buildup. Follow instructions to ensure optimum results.

Never use an abrasive material such as a brush or scouring pad to clean the surface. The use of abrasive cleaners, cleansers or disinfectants will alter the surface finish and void the warranty.

Do not allow certain materials such as toothpaste, cologne, shaving cream, nail polish remover, vinegar, wine, drain and glass cleaners to remain on the surface. Prolonged contact will alter surface finishes and void the warranty.

We DO NOT recommend using any household cleaners as many can cause damage to the finish.

Please see the website for care instructions for specific finishes.

Replacement Parts

NO.	Description	Part NO.
1	Spring & Button & Pin	9Q245200
2	Handle Assembly	5C0058000
3	Hex Set Screw	9Q1356NT
4	Screw M4X80	5T0F0266NT
5	Extension kit	9Q242000
6	Temperature Range Control Ring	5K202720PL
7	Washer	9Q247600PL
8	O-Ring	9Q247700PL

