

crosswater^x

LONDON

Leyden Thermostatic Valve Trim
14-16-T

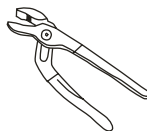
Installation Instructions



Tools You Will Need



Adjustable Wrench



Adjustable Pliers



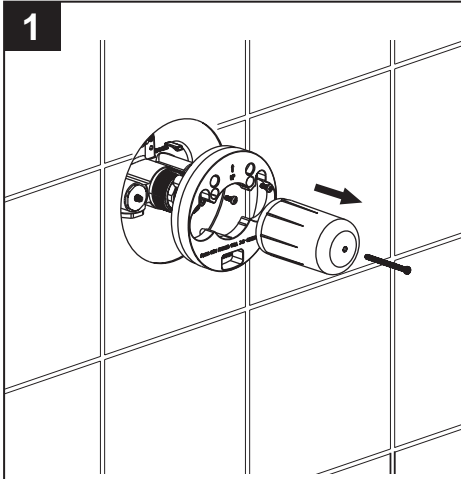
Screwdriver

For ease of installation you will need:

- To read the installation instructions completely before beginning.
- To read all warnings, care, and maintenance information.
- To complete the valve rough-in prior to installing this trim kit.

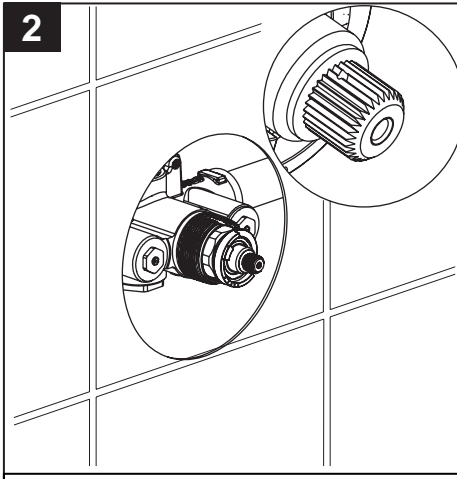
Before beginning installation, check for any damage that may have occurred during transport.
Note: Damage claims cannot be made during or after installation.

Installation Instructions



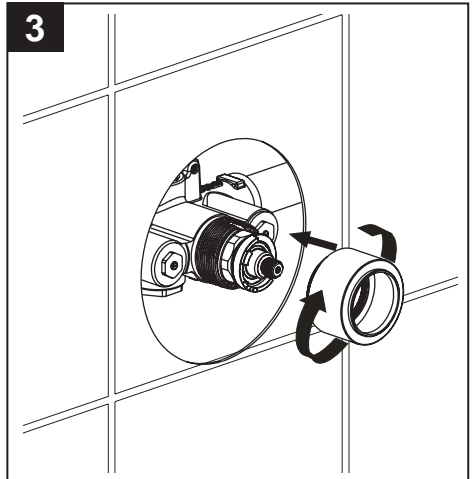
1

Turn off the water supply and remove the mud guard.



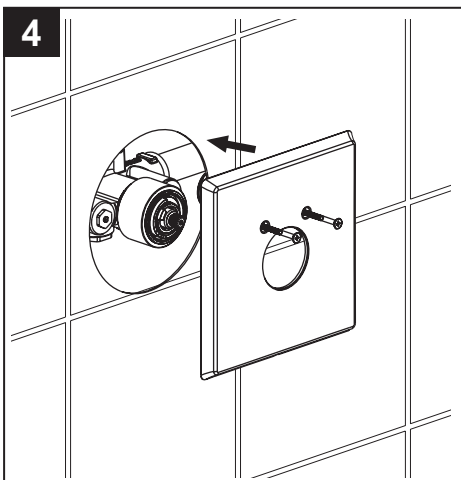
2

NOTE: Make sure the hole in the stem is facing straight up. (This sets the valve at 100°).



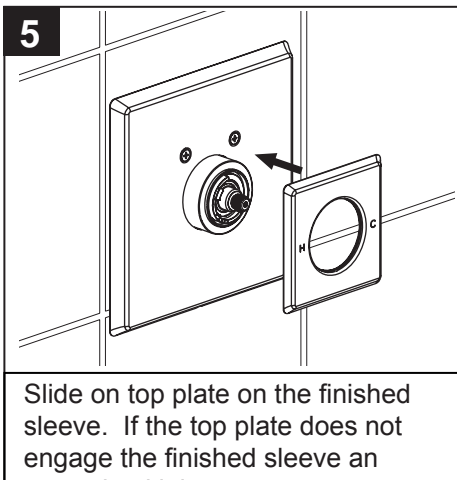
3

Thread on finished sleeve.



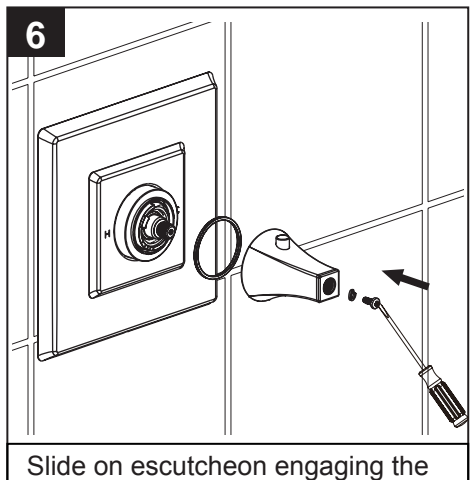
4

Install escutcheon with 2 screws. Do not overtighten the screws.



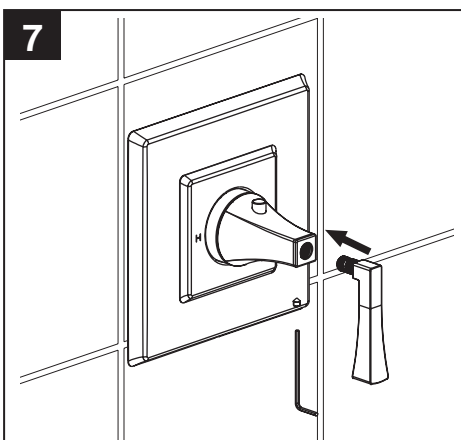
5

Slide on top plate on the finished sleeve. If the top plate does not engage the finished sleeve an extension kit is necessary. Please contact your Crosswater London dealer.



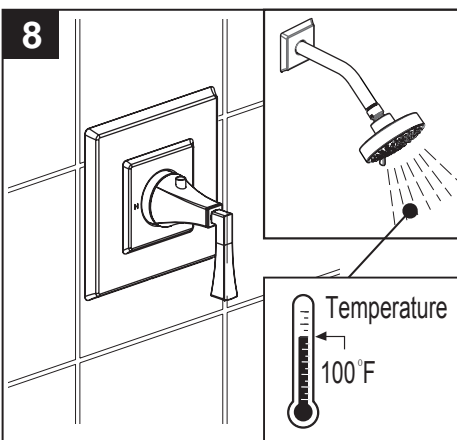
6

Slide on escutcheon engaging the stem making sure the temperature override button facing straight up. Secure with screw.



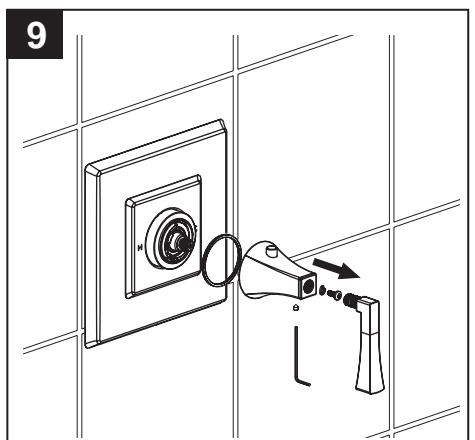
7

Slide handle into escutcheon and secure with set screw.



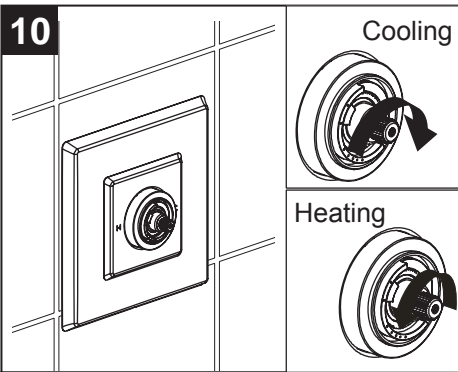
8

Turn on the water supply, measure the temperature of water. If the temperature is 100°F, go to step #9, if not go to step #11.

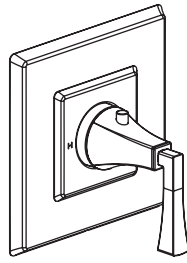


9

Turn off the water supply. Remove handle and escutcheon.

10

If the temperature in #8 was less than 100° turn the temperature limit ring to the left. If the temperature was more than 100° turn the temperature limit ring to the right. Reinstall the handle and escutcheon.

11

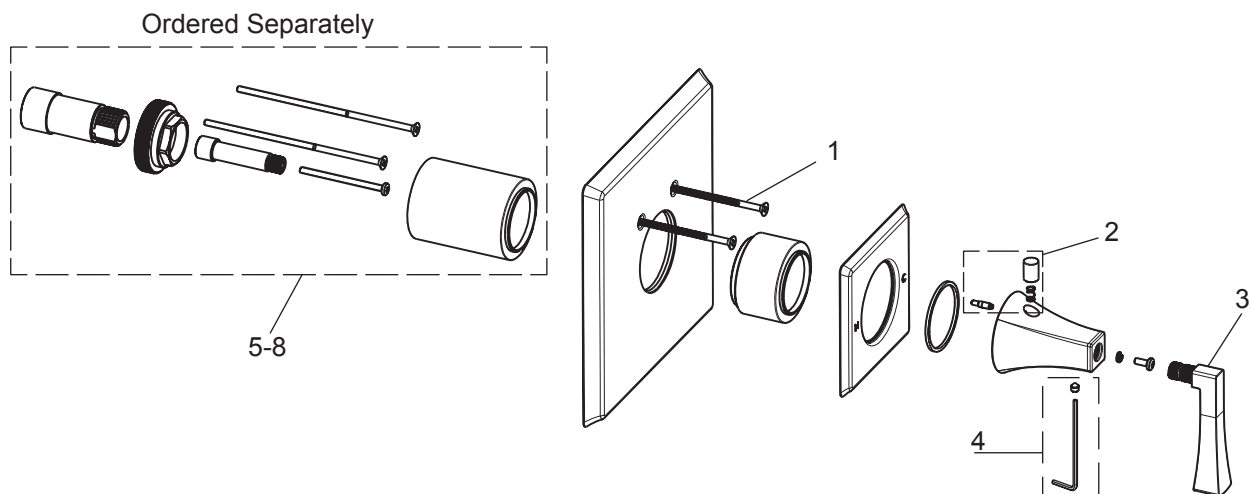
Installation completed.

Cleaning Instructions

- Only use a soft, dampened sponge or cloth to clean and polish the fixture.
- Wipe fixtures and the immediate areas clean and rinse completely with water immediately after installation and after applying any cleaner.
- If you are using a cleaning compound on or close to the product, please test the compound on a hidden area of the trim to ensure it will not damage the finish.
- Do not allow cleaners to soak anywhere on the product.

Replacement Parts

| NO. | Description | Part NO. |
|-----|--------------------------------|------------|
| 1 | Screw M4X80 | 5T0F0266NT |
| 2 | Spring & Button & Pin | 9Q1112 |
| 3 | Handle Assembly | 9Q1208 |
| 4 | Hex Set Screw & Allen Key | 9Q1356NT |
| 5 | Extension kit(Polished Chrome) | 9Q1172CP |
| 6 | Extension kit(Satin Nickel) | 9Q1172AP |
| 7 | Extension kit(Polished Nickel) | 9Q1172RN |
| 8 | Extension kit(Bronze) | 9Q1172FO |



Applicable Standards/Codes

IAPMO certified to meet or exceed the following:

- ASME A112.18.1/CSA B125.1
- Uniform Plumbing Code
- National Plumbing Code of Canada
- ADA Compliant



Installation Dimensions

