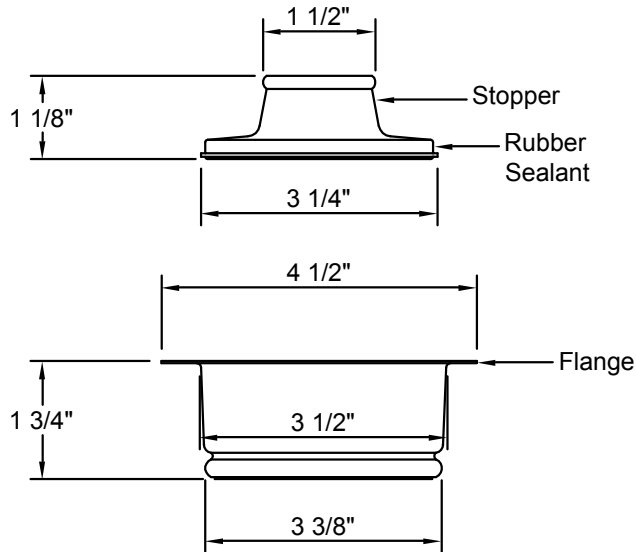


**Top View**



**Side View**

  
**California Faucets®**  
 info@calfaucets.com  
 www.calfaucets.com

**FIXTURE:**  
**Garbage Disposer Flange/Stopper**

**MODEL #:** 9655

**DWG NO:**

**REV:**

REVISIONS

REV DATE

STARTING DATE: June 14, 2005

APPRVD DATE:

APPRVD BY:

SCALE: None

DRAWN BY: William Linares  
 william@calfaucets.com