



California Faucets®

Tub Drains

WASTE & OVERFLOW W/ ZERO DRAIN®

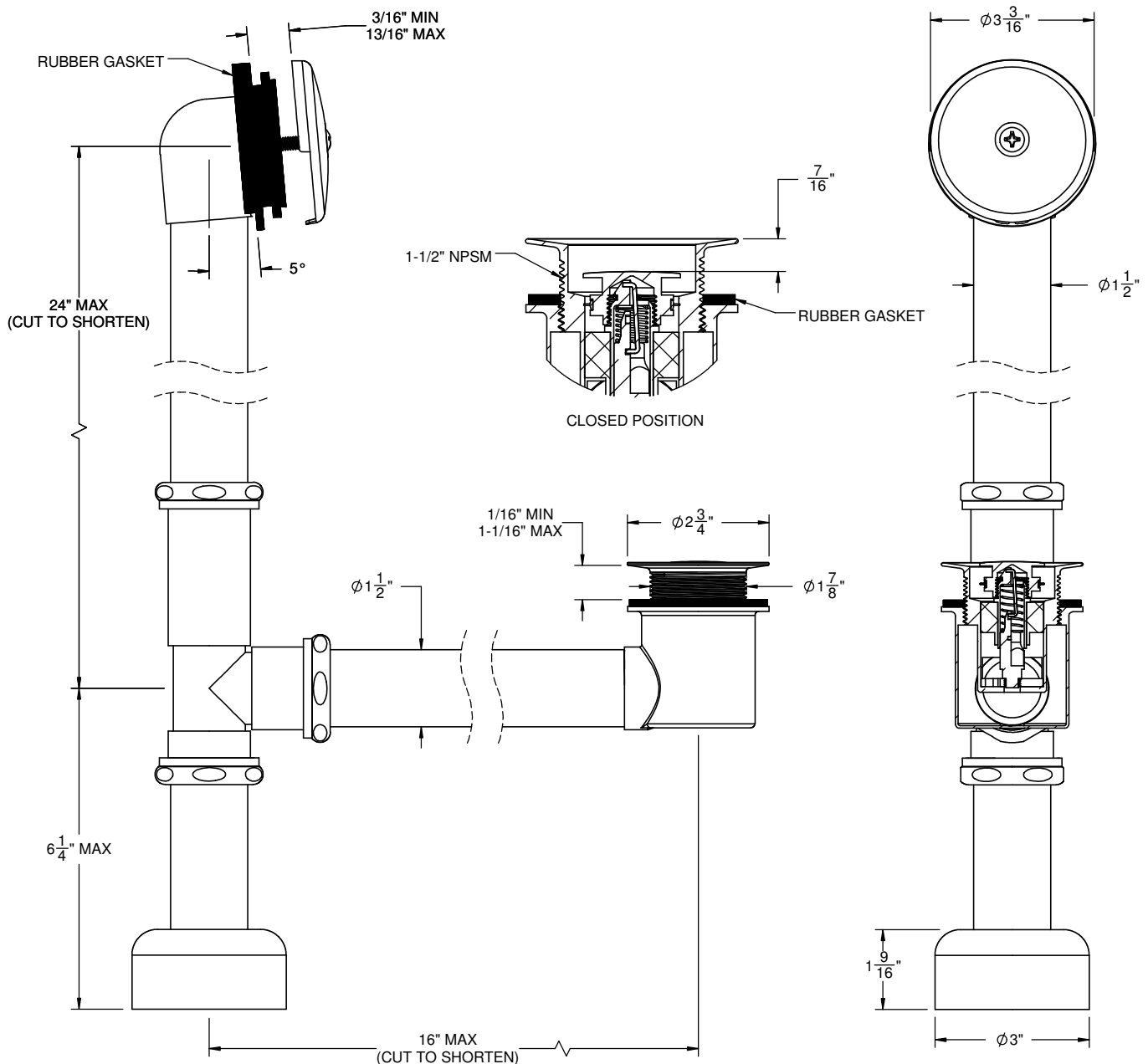
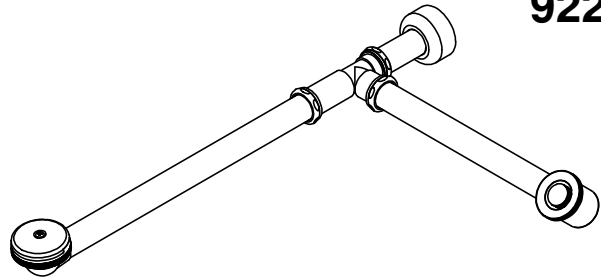
Features

- Solid brass construction
- Includes 9232-faceplate & ZeroDrain®
- Fully polished & finished
- 24" max overflow make-up
- 16" max waste make-up
- Over 30 finishes including 15 PVD finishes

Codes/Standards Applicable

- Product meets or exceeds the following:
- ASME A112.18.2/CSA B125.2

9226-Z



ALL DIMENSIONS SHOWN TO NEAREST 1/16"