



California Faucets®

Descanso®

CF-TO-V3002-7, CF-TO-V3002-9 CF-TO-V3002X-7 & CF-TO-V3002X-9

In-Wall Vessel Lavatory Faucet

CALIFORNIA FAUCETS RECOMMENDS THAT ALL PLUMBING PRODUCTS BE INSTALLED BY A LICENSED PROFESSIONAL

IMPORTANT: Read all instructions prior to installation and provide copy of instructions to consumer.

Operating Specifications:

Recommended Supply Pressure: 20 to 70 psi*†
Maximum Flow Rate: 1.2 gpm

* Operating pressures between hot and cold supplies should vary no more than 30 psi.
† If water pressure exceeds 70 psi, install a Pressure-Reducing Valve (PRV).



INSTALLING SPOUT TO IN-WALL VALVE

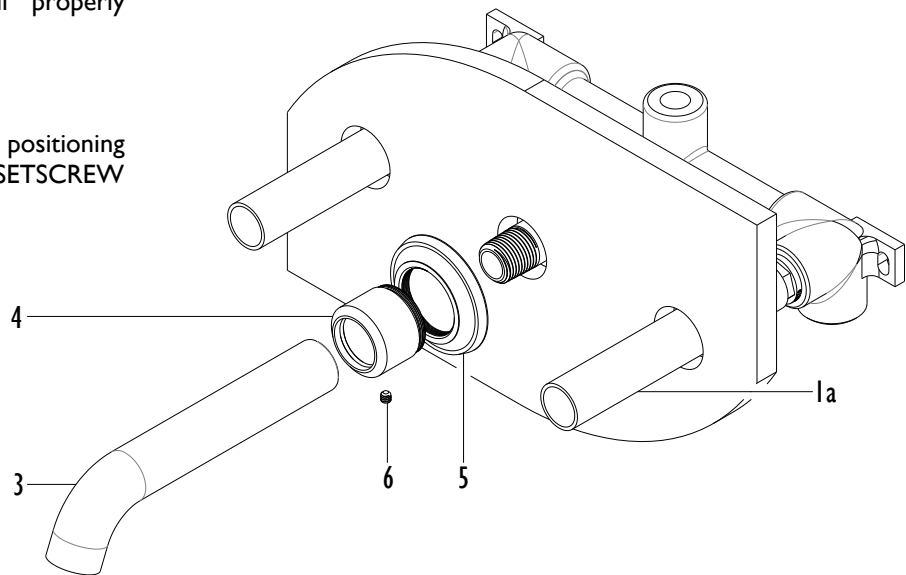
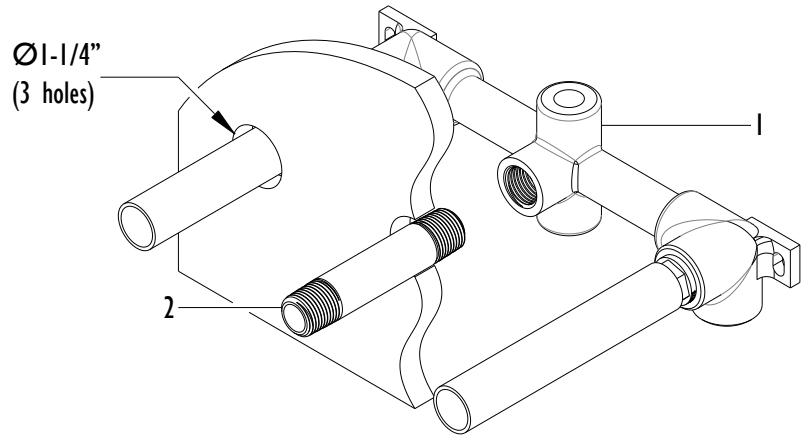
- Prior to installing faucet trim in-wall vessel rough VALVE (1), **CF-VL-R**, must be properly installed and wall surface must be completely finished

NOTE: Recommended through-hole size shall be $\varnothing 1-1/4"$

- Apply thread sealant to both threaded ends of NPT NIPPLE (2), not supplied, and tighten into center outlet of VALVE (1)
- Tighten spout BASE (4) onto spout RING (5), and slide onto SPOUT (3)
- Tighten SPOUT (3) onto NPT NIPPLE (2)
- If SPOUT (3) is not properly aligned when fully tightened, turn counter-clockwise till properly aligned

IMPORTANT: Do not overtighten SPOUT (3)

- Push spout RING (5) firmly against wall, positioning setscrew hole on bottom, and tighten SETSCREW (6)

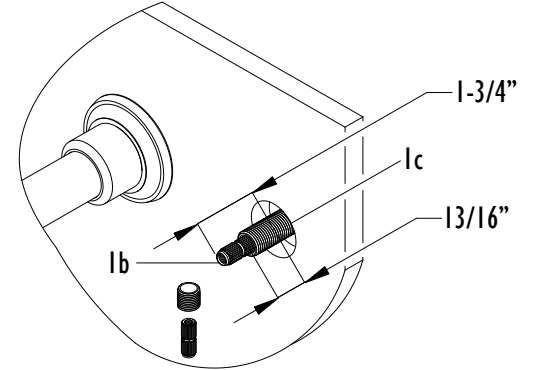
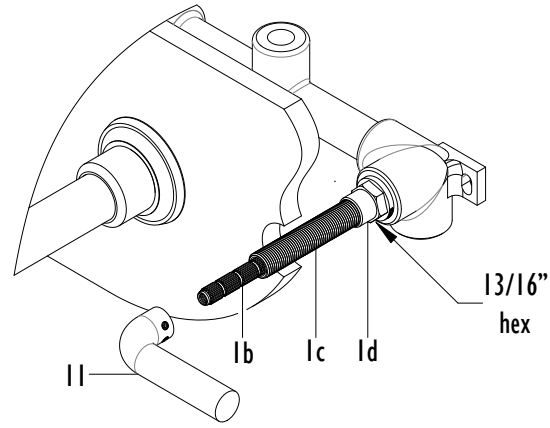


2 ALIGN & TRIM VALVE STEM

- Remove MUDGUARD (1a) from VALVE (1)
- To obtain proper HANDLE (11) alignment it may be necessary to re-align cartridge STEM (1b); to align STEM (1b), slightly loosen the cartridge NUT (1d), place HANDLE (11) on STEM (1b) and **TIGHTEN** in CW direction until desired alignment is achieved; retighten cartridge NUT (1d) to factory torque setting of 14 ft-lbs.

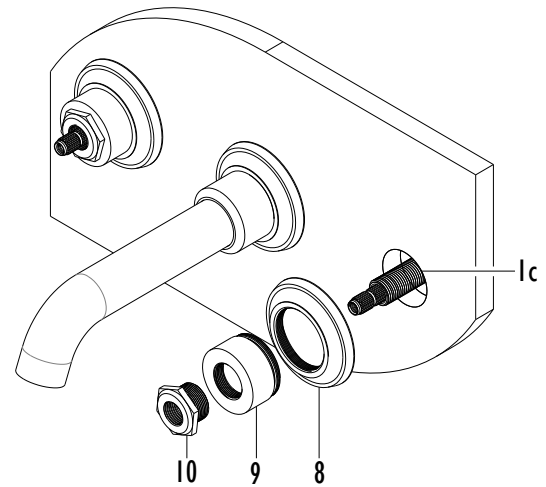
WARNING: Cartridge NUT (1d) **MUST** be properly torqued to prevent possible failure and/or water damage

- Using a marking device (e.g. pencil or marker) indicate a distance of 13/16" from finished wall on ALL-THREAD (1c); unscrew ALL-THREAD (1c) from valve STEM (1b)
- Cut STEM (1b) 1-3/4" from finished wall surface
- Cut off excess ALL-THREAD (1c) at indicated mark and reattach ALL-THREAD (1c) onto valve STEM (1b) – repeat on other side



3 INSTALLING ESCUTCHEON

- Tighten handle RING (8) and decorative NUT (10) onto handle RISER (9)
- Secure escutcheon onto wall by tightening decorative NUT (10) onto ALL-THREAD (1c)



4 INSTALLING HANDLE

- Loosen both SETSCREW (11b)
- Slide HANDLE (11) down onto and engage valve STEM (1b) leaving a space of 1/32" between handle and decorative NUT (10)
- Tighten both SETSCREW (11b)
- Turn on water supply and check for leaks

