

# 30" GRECIA SINGLE BOWL FARMER SINK

Cat. No  
FSCSB3142



## Features:

- ▶ Hammered sink
- ▶ Constructed of solid 16 gauge copper
- ▶ Sink bottom angled to drainage
- ▶ Front rim 2-1/2", back rim 1-1/2", side rims 1-3/8"
- ▶ Accommodates 3-1/2" drain
- ▶ Copper is a living finish and will patina over time
- ▶ IAPMO Certified



## Finish:

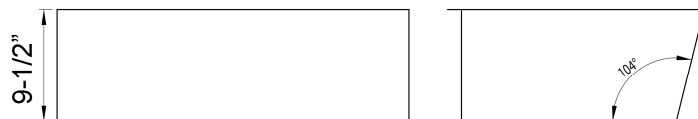
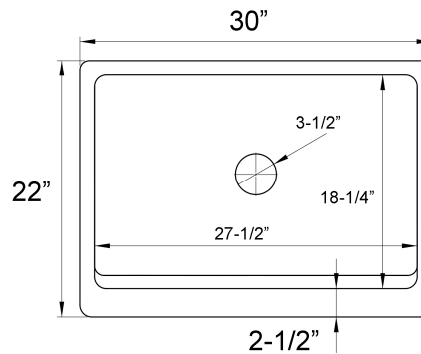
**AC** Hammered Antique Copper

W: 30"  
D: 22"  
H: 9-1/2"

**\*Please do NOT cut hole without template or actual product.**

## Interior Dimensions:

Basin Interior: 18" x 27-3/8"  
Basin depth: 9"



Dimensions of fixture are nominal and may vary within the range of tolerances established by ANSI Standard A112.19.2. Dimensions and specifications subject to change without notice.