

COOMERA FREESTANDING TUB FILLER

Cat. No.
7918



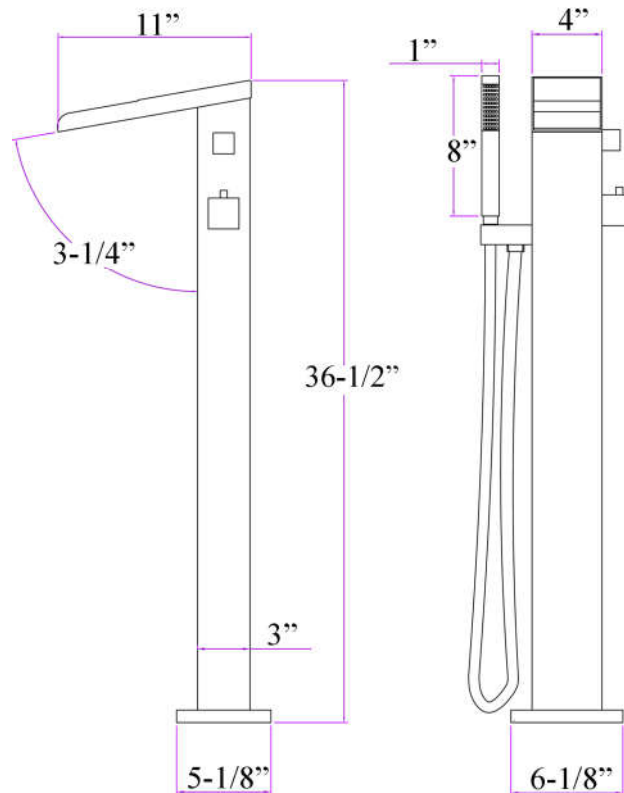
Features:

- ▶ Constructed of 304 graded stainless steel
- ▶ Thermostatic control within 1° celcius
- ▶ Thermostatic brass cartridge
- ▶ Spout reach 9"
- ▶ Luxurious waterfall design
- ▶ ½ NPT connection
- ▶ Spout is 4" wide by 11" long
- ▶ Includes handshower with 66" hose
- ▶ Flow rate is 6-6.5 GPM at 65-70 PSI
- ▶ Flow rate handshower 2.5 GPM. Optional regulator in parts bag reduces flow rate to 2.0 GPM for CA requirements.
- ▶ Mounting plate mounts to wood or tile floor

Finishes:

SP Polished Stainless Steel
SB Brushed Stainless Steel

D: 5-1/8"
W: 11"
H: 36-1/2"



Use on concrete floors requires special installation. We recommend using a plumbing professional.

Dimensions are nominal and may vary. Dimensions and specifications subject to change without notice.

COOMERA FREESTANDING TUB FILLER

Cat. No.
7918

