

# MIMI 17" WALL HUNG BASIN

Cat. No  
4-1130



Faucet not included



Mounting hardware

W: 17-<sup>3</sup>/<sub>8</sub>"  
D: 17-<sup>7</sup>/<sub>8</sub>"  
H: 6-<sup>1</sup>/<sub>8</sub>"

Water depth 2-<sup>1</sup>/<sub>4</sub> to overflow

## Features:

- ▶ Wall hung basin
- ▶ Made of Vitreous China
- ▶ Pre-drilled with 1-3/8" single faucet hole
- ▶ Pre-drilled overflow
- ▶ Chrome decorative overflow cover included
- ▶ Mounting hardware included
- ▶ Drain not provided

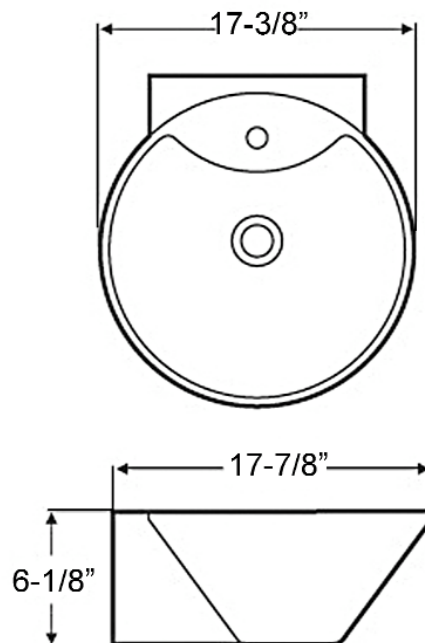
## Colors

WH White

Meets or exceeds the following specifications: ASME A112.19.2 2018 and CSA B45.1-18 for ceramic plumbing fixtures.

## Interior Dimensions:

Basin Interior:	15- <sup>3</sup> / <sub>8</sub> " x 11- <sup>5</sup> / <sub>8</sub> "
Basin Depth:	4"
Back of basin to center of faucet:	2- <sup>3</sup> / <sub>4</sub> "
Back of basin to center of drain:	9- <sup>1</sup> / <sub>4</sub> "
Mount holes cc:	3- <sup>1</sup> / <sub>4</sub> "
Faucet hole diameter:	1- <sup>3</sup> / <sub>8</sub> "



Dimensions of fixture are nominal and may vary within the range of tolerances established by ASME Standard A112.19.2.2018 Dimensions and specifications subject to change without notice.