

# EDEN 650 WALL HUNG

Cat. No.  
4-122X



Faucet Not Included

W: 25-1/2"  
D: 21-1/2"  
H: 6-1/4"

Water depth 2-1/2" to overflow

## Interior Dimensions:

Basin interior: 23-1/8" x 14-1/2"  
Basin depth: 4-1/2"  
Mount holes cc: 11-1/2"  
Back of basin to center of faucet: 2-5/8"  
Back of basin to center of drain: 8"  
Faucet hole diameter: 1-3/8"

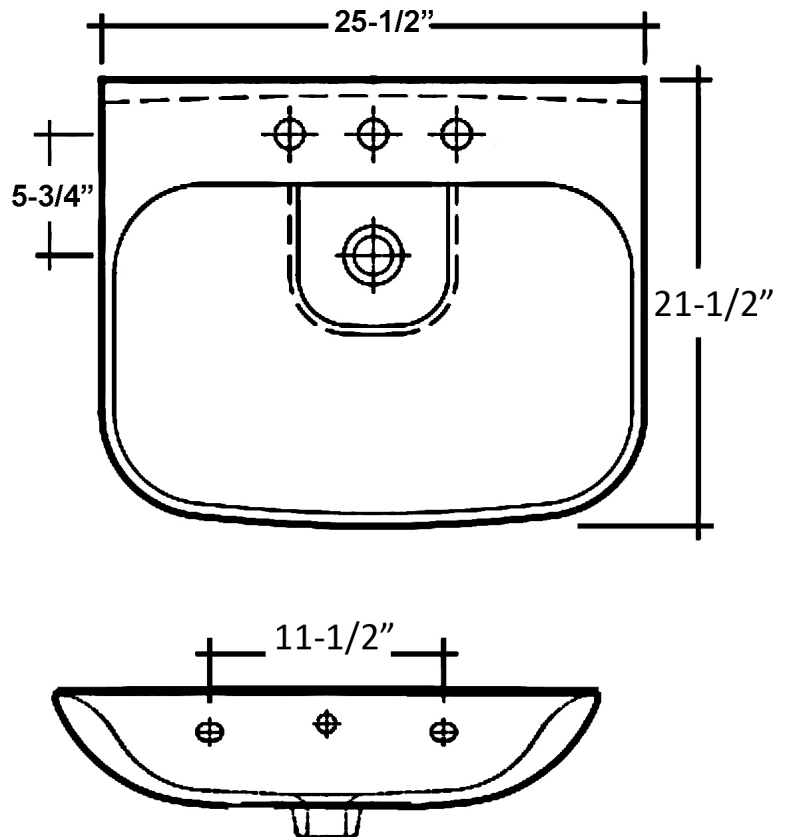
## Features:

- ▶ Made of Vitreous China
- ▶ Available for 1 hole (4-1221WH), 4" centerset (4-1224WH) and 8" widespread (4-1228WH)
- ▶ Pre-drilled overflow hole
- ▶ Mounting Hardware Included
- ▶ For ease installation order hangers (pair) or bracket (one)



**Colors:**  
WH White

**Compliance Certification**  
Meets or exceeds the following specifications: ASME A112.19.2 2018 and CSA B45.1-18 for ceramic plumbing fixtures.



Dimensions of fixture are nominal and may vary within the range of tolerances established by ASME Standard A112.19.2-2018. Dimensions and specifications subject to change without notice.