

EDEN 520 WALL-HUNG

Cat. No.
4-111X



Faucet Not Included



Mounting hardware

Width: 20-1/2"
Depth: 17"
Height: 6-1/2"
Water depth to OF: 2"

***Please do NOT drill hole without
template or actual product.**

Interior Dimensions:

Basin interior: 18" X 10-1/2"
Basin depth: 4"
Back of basin to center of faucet: 2-1/2"
Back of basin to center of drain: 8-1/4"
Mount holes cc: 11"
Faucet hole diameter: 1 3/8"
Weight: 22 lbs

Features:

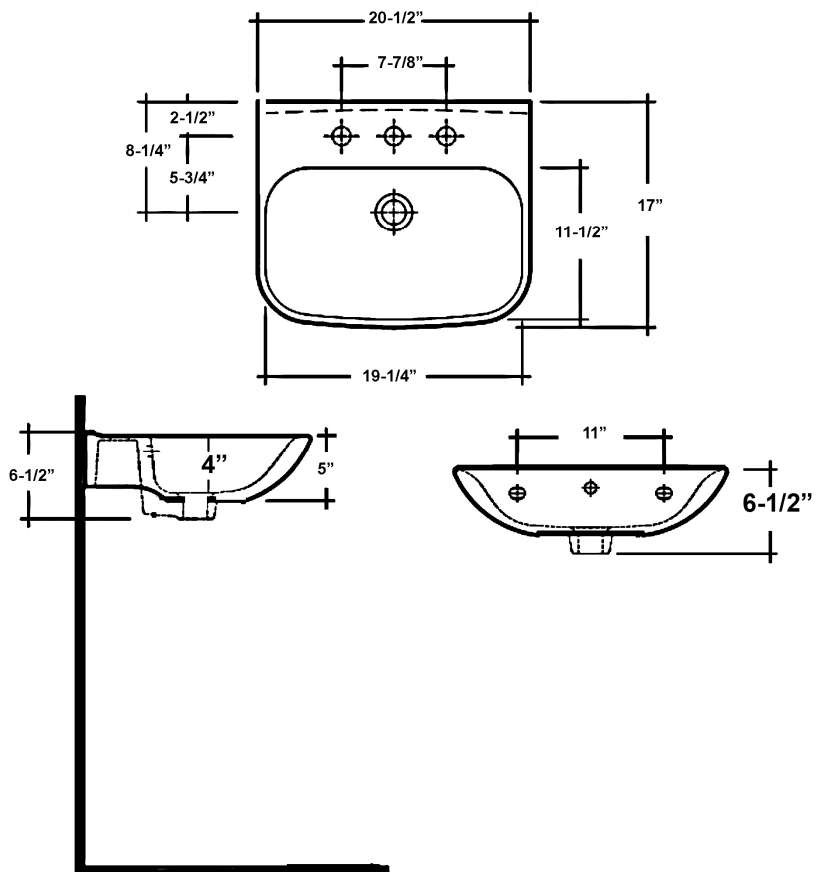
- ▶ Vitreous China
- ▶ Available for 1 hole (4-1111WH), 4" centerset (4-1114WH), and 8" centerset (4-1118WH)
- ▶ Pre-drilled overflow hole
- ▶ Mounting hardware included

Colors:

WH White

Compliance Certification

Meets or exceeds the following specifications: ASME A112.19.2 2018 and CSA B45.1-18 for plumbing fixtures.



Dimensions of fixture are nominal and may vary within the range of tolerances established by ANSI Standard A112.19.2. Dimensions and specifications subject to change without notice.