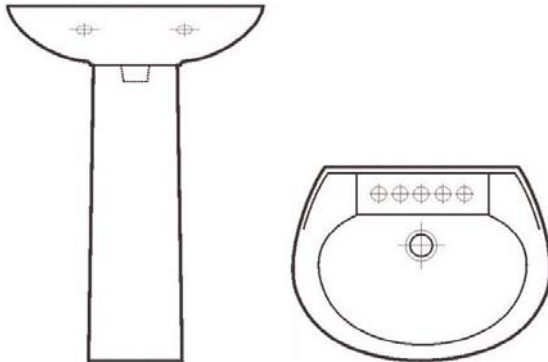


INSTALLATION INSTRUCTIONS

Tools Needed

- Level • Screwdriver • Pencil • Drill & Bits • Wrench • 2 Molly Bolts, Toggle Bolts, or Lag Screws (depending on wall) •



Be sure to re-inforce wall before installation. We recommend a 2"x12" securely fastened to wall studs at the required height for your installation.

1. Place lavatory bowl on pedestal so back of bowl is flat against the wall.
2. Adjust the bowl so it fits as snugly as possible to the pedestal and is straight when checked with a level placed at the back of the bowl.
3. Check under the bowl for two holes. With a pencil, mark the location of these holes on the wall.
4. At the base of the pedestal there may be either one or two holes. If there are holes, mark their position on the floor.
5. Remove bowl from the pedestal being careful not to move pedestal. Before replacing bowl, it would be convenient at this point to mount the faucet according to the manufacturer's instructions.
6. Start to drill hole **through the 2"x12" re-inforced wall** for molly bolts or toggle bolt. If drill bit hits a stud, stop immediately. Attach the bowl to the wall with lag screws.
7. If molly bolts are used, install and expand the bolt holders. Insert the bolts through the holes in the bowl and thread into the expanded portion already in the wall.
8. If toggle bolts are used, make holes large enough to accept collapsible wing nut bolt but do not insert bolts into hole. Push collapsed wing nuts through the holes in the bowl and through the holes in the wall.
9. Place the bowl on the pedestal. Make sure that the holes in the bowl line up with the holes drilled in the wall.
10. Attach pedestal to floor using either a long screw or lag bolt. **DO NOT TIGHTEN TOO MUCH.** The only purpose of securing the base to the floor is to prevent the pedestal from being "kicked out" from under the bowl.
11. Connect all supply tubes to the faucet. Connect trap and drain assembly as described by the manufacturer.
12. If there is a gap between the bowl and pedestal, apply a bead of white latex caulking at the junction of the two pieces.

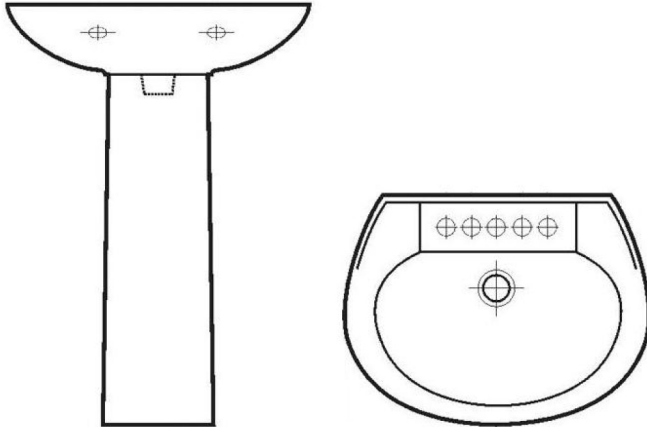
NOTE:

DO NOT tighten too much or you may damage bowl.

INSTALLATION INSTRUCTIONS

Tools Needed

- Screwdriver • Drill & Bits • 2 Molly Bolts, Toggle Bolts, or Large Wood Screws (depending on wall) •
- Wrench • Pencil • Level • Plumbers Basin Wrench to Secure Faucet (Optional) •



Be sure to re-inforce wall before installation. We recommend a 2"x12" securely fastened to wall studs at the required height for your installation.

1. Place lavatory bowl on pedestal so that back of bowl is flat against the wall.
2. Adjust the bowl so it fits as snugly as possible to the pedestal and is straight when checked with a level placed at the back of the bowl.
3. Position each metal mounting bracket against the underside rear of bowl and against the wall. Mark the location of mounting bracket holes on the wall.
4. Remove bowl from the pedestal being careful not to move pedestal. If the pedestal is moved, mark its position on the floor.
5. Start to drill hole **through 2"x12" re-inforced wall** for molly bolts or toggle bolts. If drill bit hits a stud, mount bracket and bolts using large wood screws.
6. If molly bolts are used, install and expand the bolt holder, then mount brackets.
7. If toggle bolts are used, make holes large enough to accept collapsible wing nut bolt, then mount bracket.
8. Before replacing bowl, it would be convenient at this point to mount the faucet according to the manufacturer's instructions.
9. Hang bowl on wall brackets and position in such a way so it is level and snug against the pedestal.
10. Connect all supply tubes to the faucet. Connect trap and drain assembly as described by the manufacturer.
11. If there is a gap between the bowl and pedestal, apply a bead of white latex caulking at the junction of the two pieces.

NOTE:

DO NOT tighten too much or you may damage bowl.