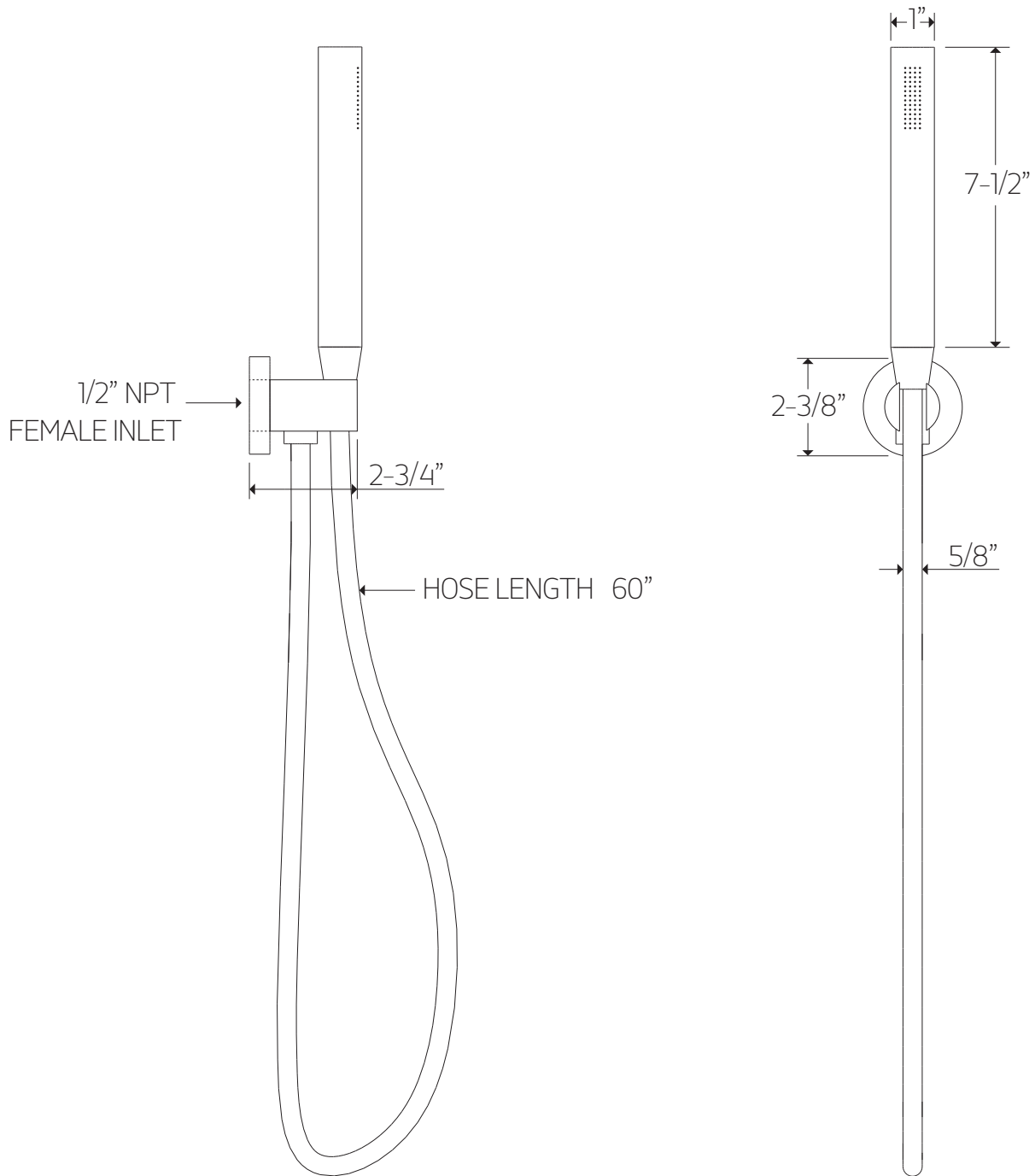


F907-5

TECHNICAL DATA SHEET

flexible hose shower kit with
integrated water outlet
rod



artos[®]

F907-5

OPERATING SPECIFICATIONS

flexible hose shower kit with
integrated water outlet
and



FEATURES

Integrated Water Outlet
60" Flexible Hose

OPERATING PRESSURE

Minimum: 15 psi
Maximum: 75 psi
Above 90psi it may be necessary to install a pressure reducer

OPERATING TEMPERATURE

Maximum: 176°

FLOW CAPACITY

2.0 USGPM

INLET/OUTLET

1/2" Female NPT

REQUIREMENTS

This unit requires a control