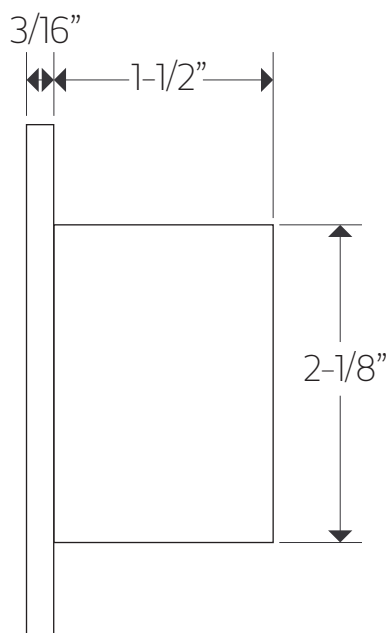
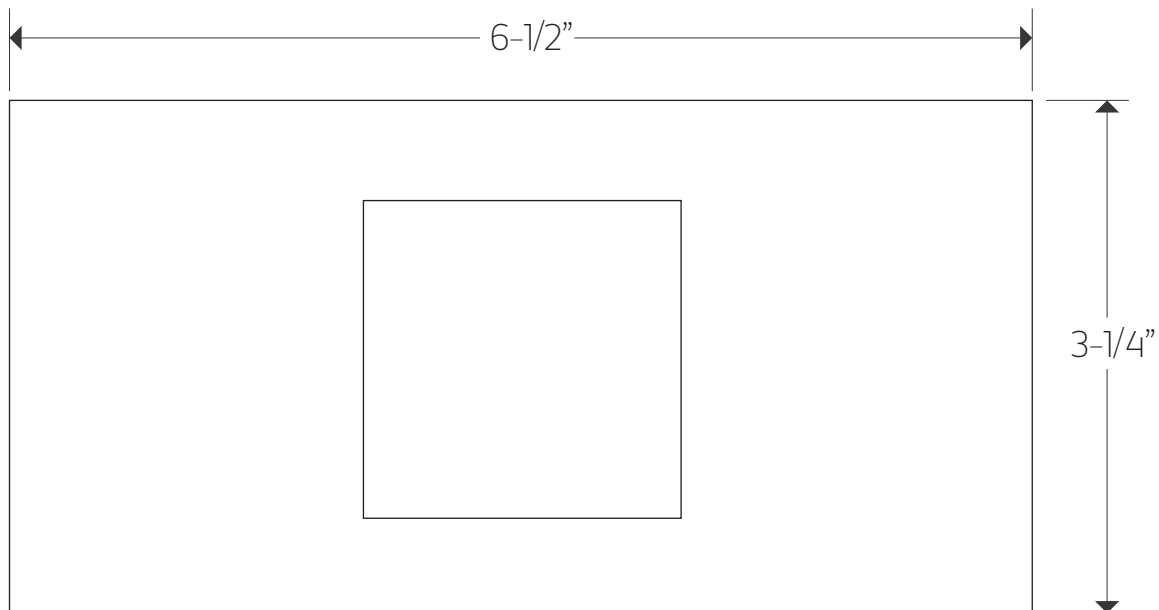


## F903A-56TK

## TECHNICAL DATA SHEET

pressure balance mixer trim  
kit only squ+letterbox



# artos

## F903A-56TK

pressure balance mixer trim  
kit only squ+letterbox

## OPERATING SPECIFICATIONS

for associated valve | F903A-40V0



### MIXED WATER TEMPERATURE

Maximum: 120°F

### HOT WATER SUPPLY TEMPERATURE

Maximum: 185°F

Minimum: 50°F

Advisable: 150°F- 160°F

Minimum difference between hot mixed temperature 50°F

### OPERATING PRESSURE

Maximum: 125psi

Minimum: 20psi

Recommended: 30psi- 95psi

Operating pressures (on hot and cold lines) should be kept as balanced as possible, in order to assure the maximum efficiency.