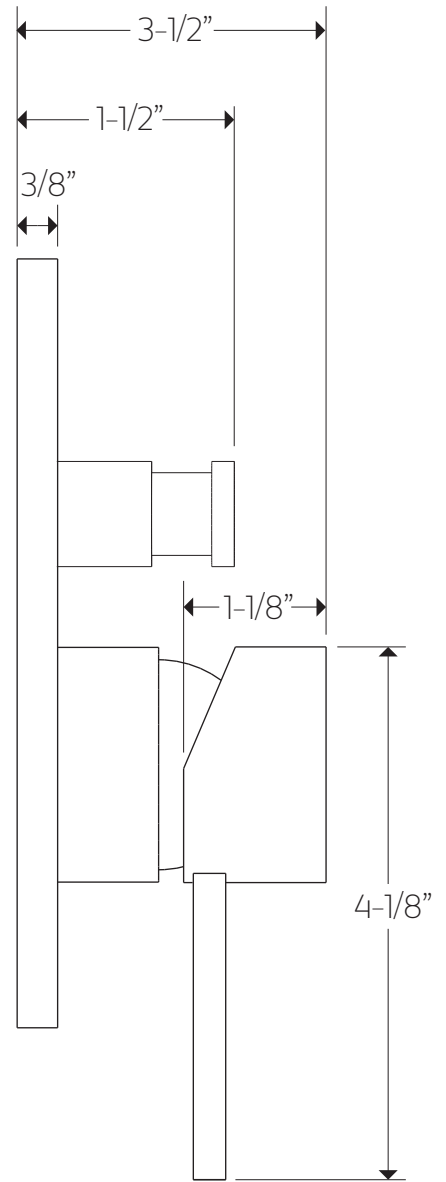
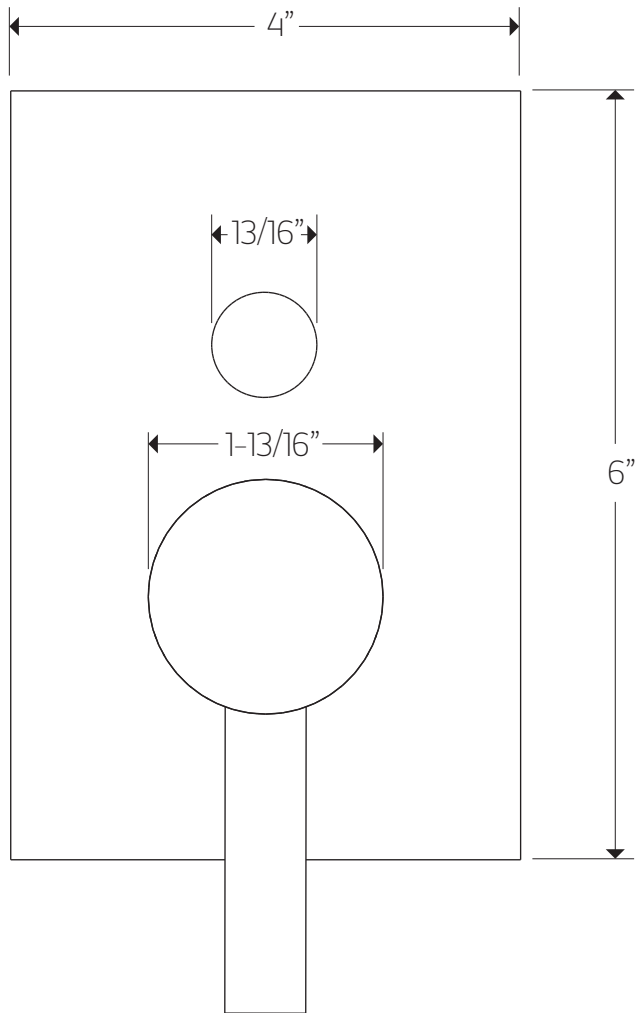


## F903-9TK

## TECHNICAL DATA SHEET

pressure balance mixer with  
push-button diverter trim kit  
r+s



# artos

F903-9TK

pressure balance mixer with  
push-button diverter trim kit  
r+s

## OPERATING SPECIFICATIONS

for associated valve | F903-14



### OPERATING PRESSURE

Minimum: 45 psi

Maximum: 75 psi

Above 90psi it may be necessary to install a pressure reducer

### OPERATING TEMPERATURE

Maximum: 176°

### FLOW CAPACITY

5.5 USGPM@60 psi

Used with shower heads rated at 2 gpm or higher

### INLET/OUTLET

1/2" Female NPT- Inlets & Top Outlet

3/4" Female NPT- Bottom Outlet