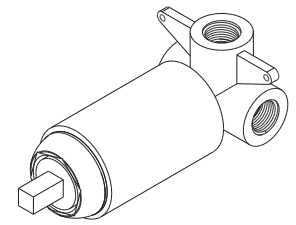


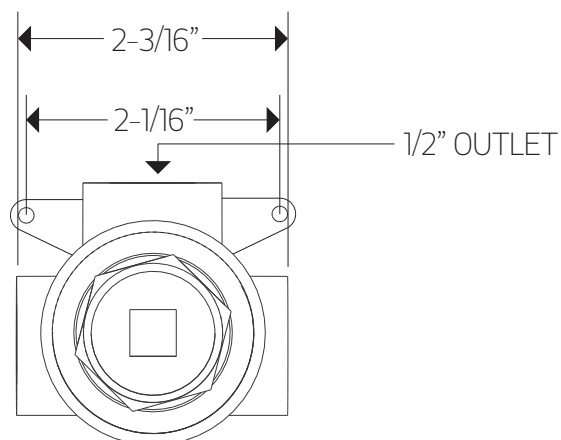
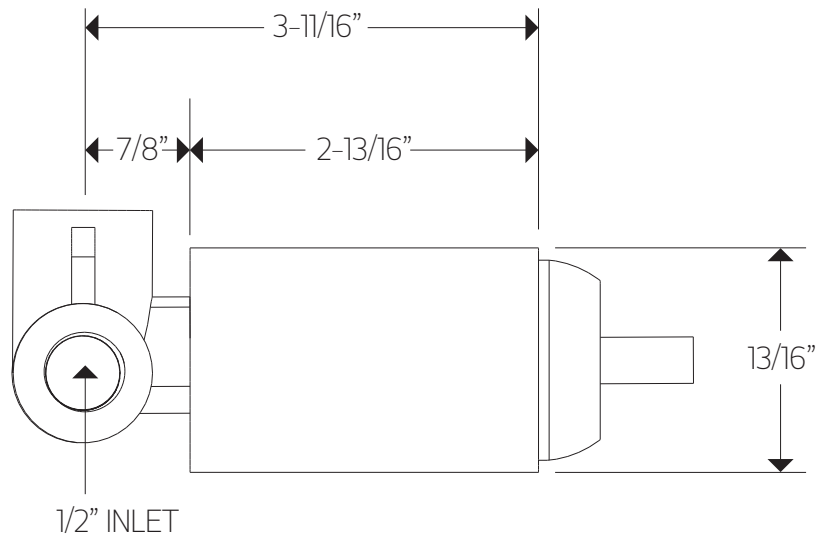
artos[®]



F903-15

TECHNICAL DATA SHEET

pressure balance mixer valve
only



artos

F903-15

OPERATING SPECIFICATIONS

pressure balance mixer valve
only



OPERATING PRESSURE

Minimum: 45 psi

Maximum: 75 psi

Above 90psi it may be necessary to install a pressure reducer

OPERATING TEMPERATURE

Maximum: 176°

FLOW CAPACITY

6.0 USGPM@60 psi

Used with shower heads rated at 2 gpm or higher

INLET/OUTLET

1/2" Female NPT

STANDARDS

ASSE 1016.ASME A112.18.1/CSA B123.1 Certified

CODES

CUPC Approved