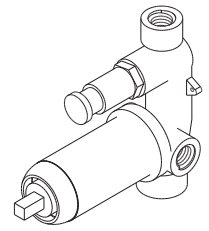


artos[®]

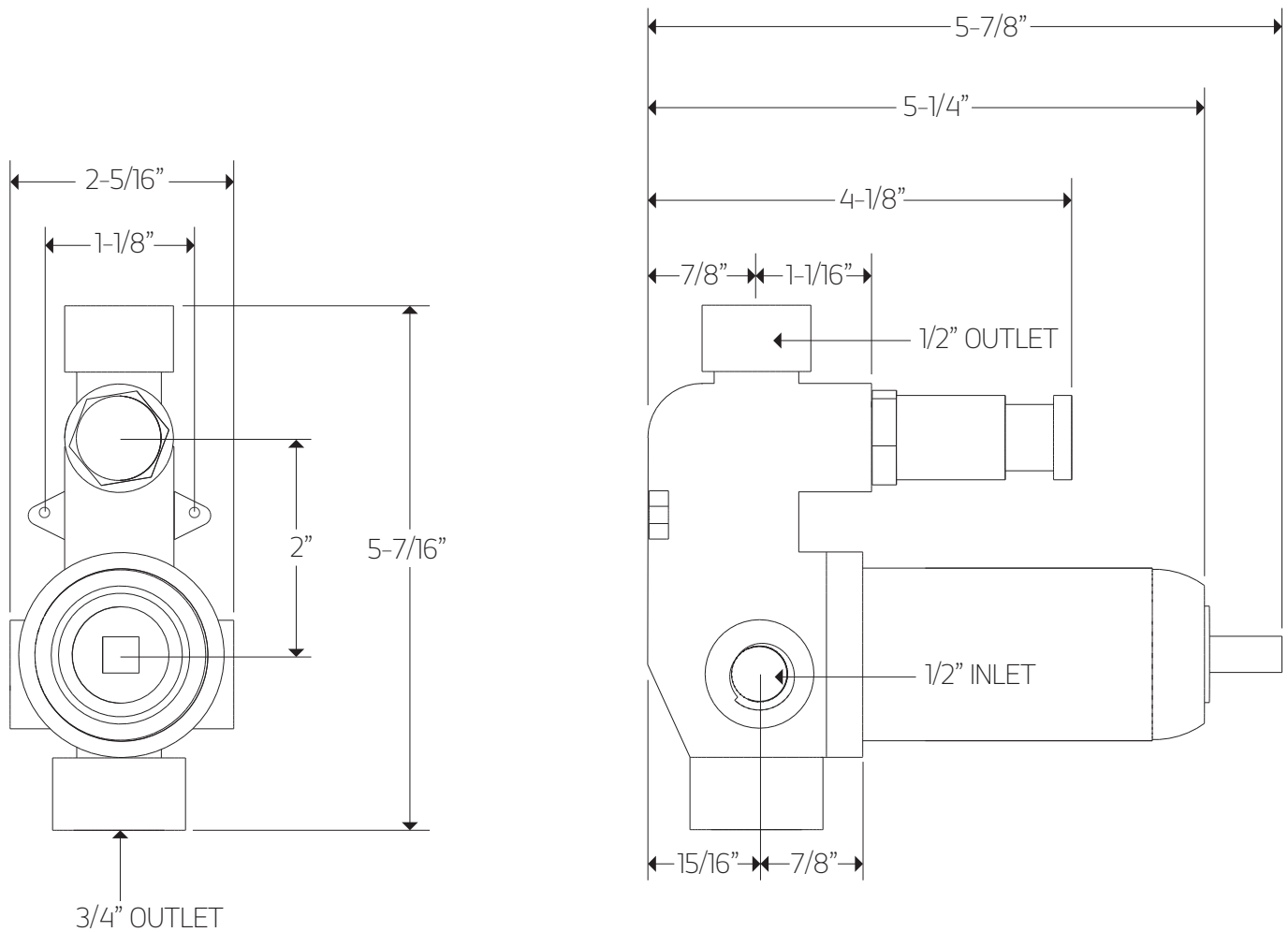
the art of style



F903-14

TECHNICAL DATA SHEET

pressure balance mixer with
push-button diverter valve only



artos

F903-14

OPERATING SPECIFICATIONS

pressure balance mixer with
push-button diverter valve
only



OPERATING PRESSURE

Minimum: 45 psi

Maximum: 75 psi

Above 90psi it may be necessary to install a pressure reducer

OPERATING TEMPERATURE

Maximum: 176°

FLOW CAPACITY

5.5 USGPM@60 psi

Used with shower heads rated at 2 gpm or higher

INLET/OUTLET

1/2" Female NPT- Inlets & Top Outlet

3/4" Female NPT- Bottom Outlet

STANDARDS

ASSE 1016.ASME A112.18.1/CSA B123.1 Certified

CODES

CUPC Approved