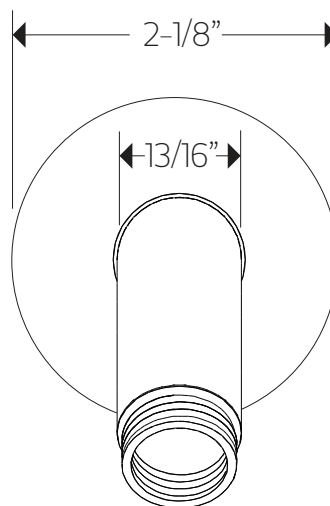
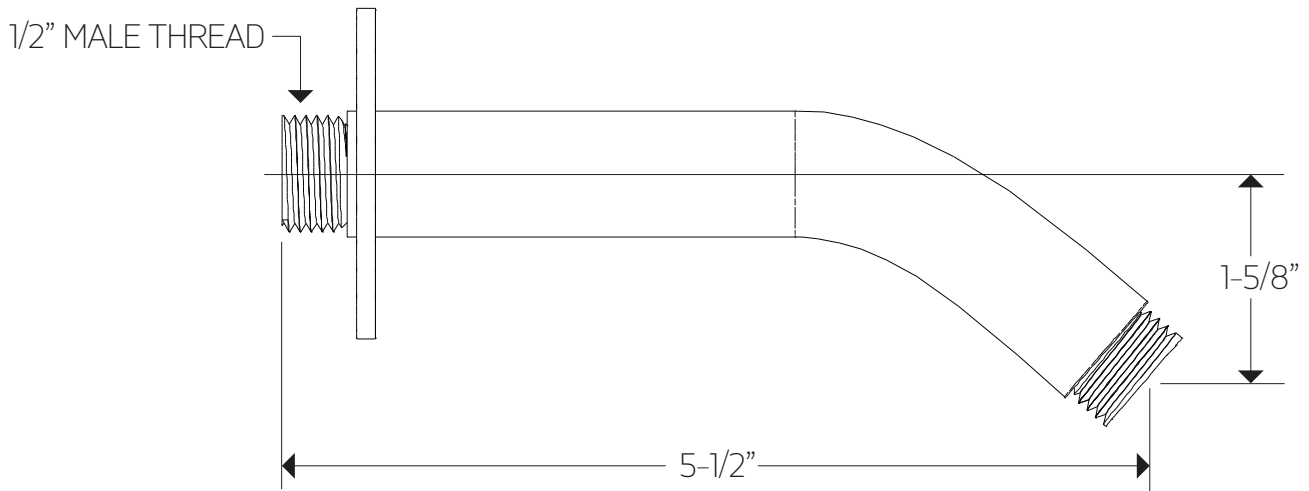


F902-11

TECHNICAL DATA SHEET

angled shower arm, wall
mount rnd



artos[®]

F902-11

OPERATING SPECIFICATIONS

angled shower arm, wall
mount rnd



FEATURES

Angled Wall Mount

OPERATING PRESSURE

Recommended: 15 psi- 75 psi

Pressure above 90 psi, it may be necessary to install a pressure reducer.

MAX OPERATING TEMPERATURE

176°F