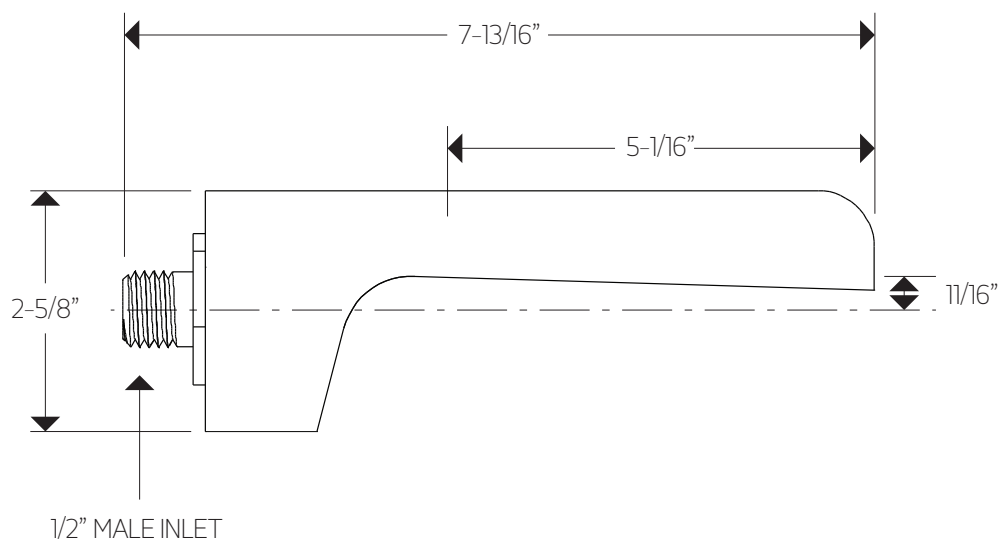
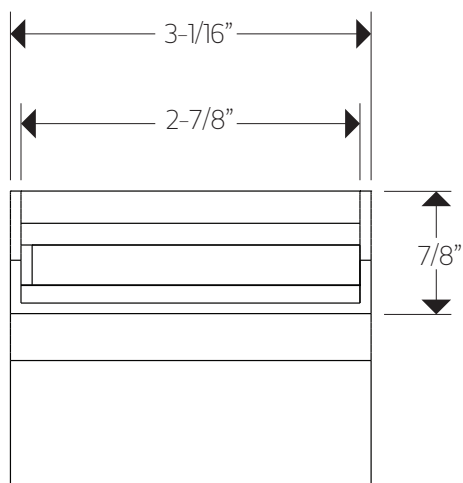




F802-3

TECHNICAL DATA SHEET

kascade wall mount tub filler



artos[®]

F802-3

OPERATING SPECIFICATIONS

kascade wall mount tub filler



OPERATING PRESSURE

Minimum: 15 psi

Maximum: 75 psi

Above 90psi it may be necessary to install a pressure reducer

OPERATING TEMPERATURE

Maximum: 176°

FLOW RATE

9.7 USGPM

INLET/OUTLET

1/2" Female

REQUIREMENTS

This unit requires a control