

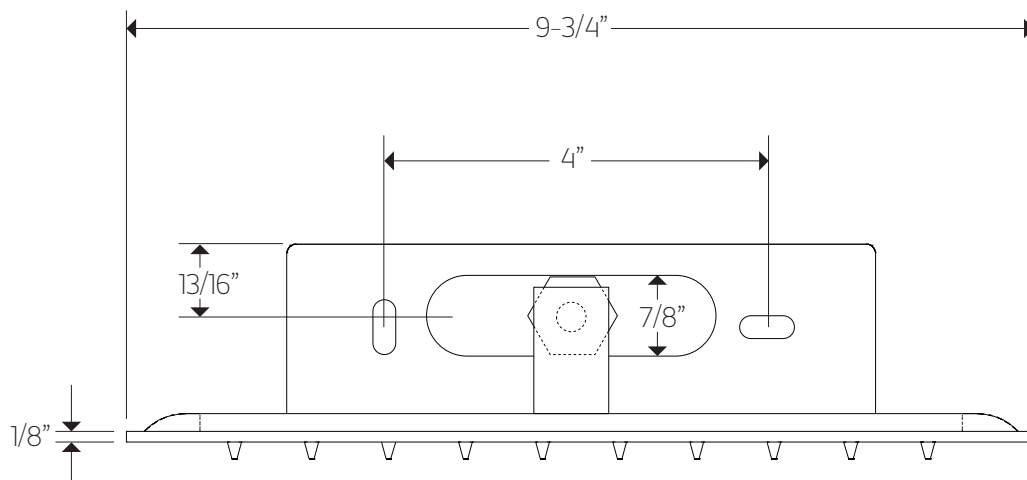
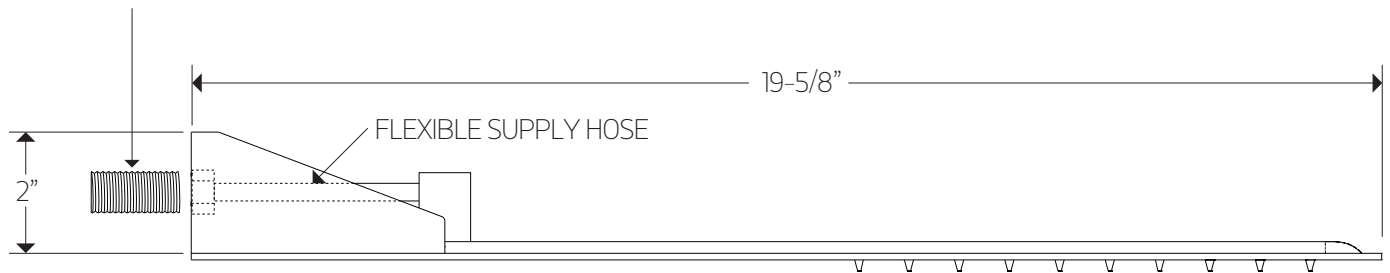
F403-1

TECHNICAL DATA SHEET

shower rainhead wall mount
squ

MALE NPT CONNECTOR

[THREADS INTO FEMALE FITTING, SET AT MIN 1/4" MAX 3/4" BEHIND FINISH WALL SURFACE]



artos[®]

F403-1

OPERATING SPECIFICATIONS

shower rainhead wall mount
squ



FEATURES

Rainhead flow

FLOW RATE

2.0USGPM

OPERATING PRESSURE

Minimum: 15 psi

Maximum: 75 psi

Above 90psi, may need to install a pressure reducer

OPERATING TEMPERATURE

Maximum: 176°

INLET/OUTLET

1/2" Female NPT

REQUIREMENTS

This unit requires controls